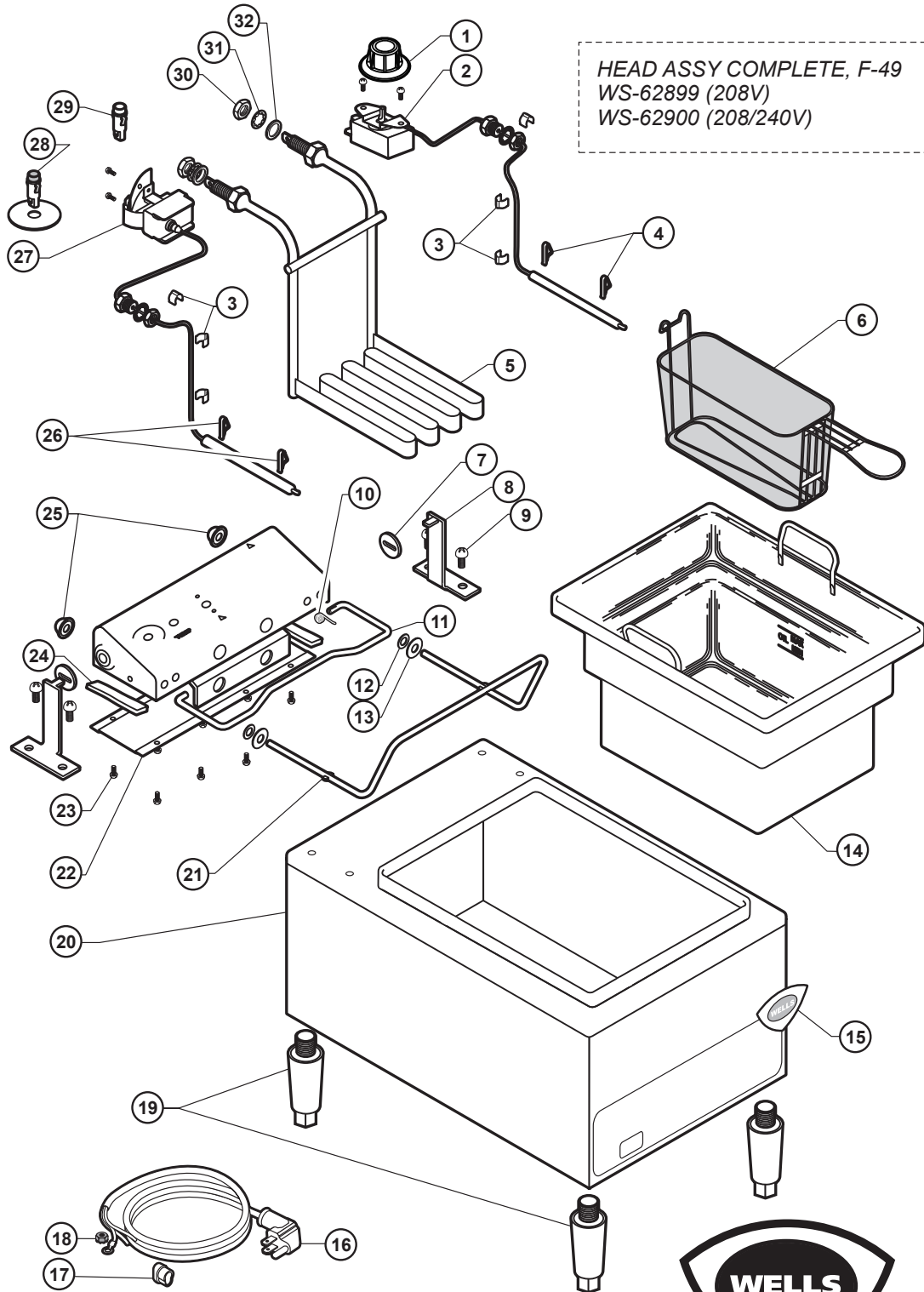


EXPLODED VIEW: F49

F49 COUNTERTOP SINGLE-HEAD FRYER



Model: F49
COUNTERTOP SINGLE HEAD FRYER

PL301

IL1865 Rev. A 8/17/09



| F49 COUNTERTOP SINGLE-HEAD FRYER | | | Part of Head Assy |
|----------------------------------|-------------|-----------------------------------|-------------------|
| Fig No. | Part Number | Description | |
| 1 | 2R-34066 | KNOB CONTROL ASSY | X |
| 2 | 2T-30133 | THERMO CTRL | X |
| 3 | 2C-30157 | CLIP CAPILLARY | X |
| 4 | 2C-43665 | CLAMP THERMO BULB F49 | X |
| 5 | 2N-42891UL | ELEM 208V 4600W | X |
| | 2N-42892UL | ELEM 240V 4600W | X |
| 6 | 2B-43688 | BASKET WIRE TWIN | |
| | 2B-43689 | BASKET WIRE SINGLE FULL | |
| 7 | E7-33436 | WASHER SLOTTED PIVOT BRKT | |
| 8 | E7-33435 | BRKT PIVOT F49 | |
| 9 | 2C-33890 | SCREW 12-24X3/4PH PAN ROL | |
| 10 | 2P-32428 | SPRING SUPPORT ROD | X |
| 11 | 2A-32427 | ROD SUPPORT SHORT HEAD | X |
| 12 | 2C-31208 | WASHER NEOPRENE BASKET | X |
| 13 | 2C-31207 | WASHER FLAT SS BASKET ROD | X |
| 14 | 2D-301344 | POT ASSY - F SERIES FRYER | |
| 15 | 2M-300534 | TRADEMARK DOMED LABEL | |
| 16 | 2E-35259 | CORD SET 250V 30A 12G 6-30P | X |
| 17 | 2K-45788 | STRAIN RELIEF SR7W-2 LLF | X |
| 18 | 2C-35736 | NUT 8-32 HEX KEPS MS GREEN | |
| 19 | 2R-Y5092 | FEET ADJ 4GRAY 3/8-16 PK, PLASTIC | |
| | 2A-Z0314 | FEET ADJ METAL 4IN | |
| 20 | DD-34206 | SHELL ASSY F49 | |
| 21 | WS-51206 | BASKET ROD | X |
| 22 | E7-34323 | COVER CONTROL BOX F49 | X |
| 23 | 2C-35566 | SCREW 6-32X1/4 PH TR HD | X |
| 24 | 2I-35747 | GASKET DRWR RWS CLOSED CE | X |
| 25 | 2P-34452 | CAP PUSH ON TYPE BASKET | X |
| 26 | 2C-49689 | CLAMP BULB SS F49RT | X |
| 27 | WS-58656 | HI-LIMIT MAN RESET 440°F | X |
| 28 | 2J-31157 | LIGHT SIGNAL RED | X |
| 29 | 2J-30516 | LIGHT SIGNAL AMBER | X |
| 30 | 2C-30172 | NUT 7/8-14 HEX | X |
| 31 | 2C-30176 | WASHER LOCK FTG TUBE FRAM | X |
| 32 | 2I-Z12311 | GASKET-FIBER WASHER | X |
| NI | WS-62899 | HEAD ASSY F49 208V | |
| NI | WS-62900 | HEAD ASSY F49 208/240 | |
| NI | WS-Z21128 | RELAY 240V | |