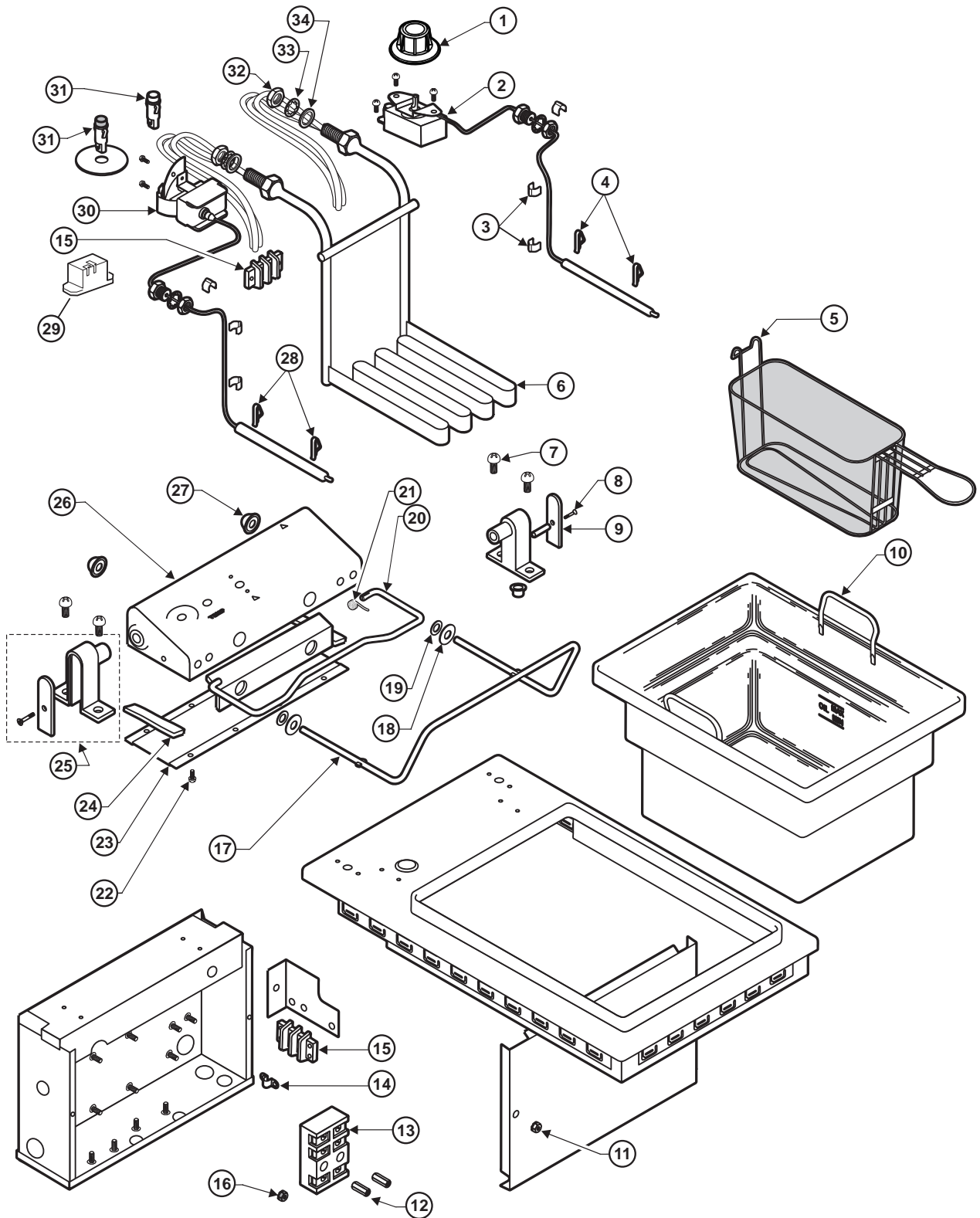


EXPLODED VIEW: F556



Model: F-556 Single Head Built-In Standard Fryer

IL1939, Rev. A, PL303

M303 p/n 2M-307590 OplManual Built-In Std Fryer

F556 SINGLE-HEAD BUILT-IN STANDARD FRYER		
Item No	Part No	Description
1	2R-35511	KNOB CONTROLS ASSY
2	2T-30133	THERMO CTROL W/SCREWS
3	2C-30157	CLIP CAPILLARY
4	2C-49689	CLAMP BULBSS F49RT F58RT
5	2B-43688	BASKET WIRE TWIN, 4" Wide
	2B-43689	BASKET WIRE SINGLE, Full, 7.75" Wide
6	2N-42842UL	ELEM 208V 5750W FRYER
	2N-42866UL	ELEM 240V 5750W
7	2C-33890	SCREW 12-24X3/4PH PAN ROL
8	2C-31717	SCREW 8-32X7/8 PH FL ROLO
9	2A-32806	COVER PILOT BRKT TUMBLED
10	2D-301344	POT ASSY - F SERIES FRYER
11	2C-31053	NUT 8-32 KEPS MS NICKEL
12	2C-41974	NUT 8-32 HEX 7/8 LONG ALU
13	WS-50131	TERM BLK KIT 3-POLE 85AMP
14	2E-34005	JUMPER FLAME SENSOR TERM
15	2E-33068	TERM BLOCK FLAME SENSOR
16	2C-35736	NUT 8-32 HEX KEPS MS GRN
17	WS-51206	BASKET ROD
18	2C-31207	WASHER FLAT SS BASKET ROD
19	2C-31208	WASHER NEOPRENE BASKET ROD
20	WS-52427	ROD SUPPORT SHORT HEAD
21	2P-32428	SPRING SUPPORT ROD
22	2C-35566	SCREW 6-32X1/4 PH TR HD M
23	E7-35028	COVER CONTROL BOX WO/SAF
24	2I-35747	GASKET DRWR RWS CLOSED CE
25	WS-50183	HINGE BRACKET END
26	E7-30464	BOX CONTROL ASSY
27	2P-34452	CAP PUSH ON TYPE BASKET
28	2C-49689	CLAMP BULB SS
29	WS-Z21128	RELAY SERVICE KIT
30	WS-58656	HI-LIMIT MAN RESET 440°F
31	2J-31157	LIGHT SIGNAL RED
	2J-30516	LIGHT SIGNAL AMBER
32	2C-30172	NUT 7/8-14 HEX
33	2C-30176	WASHER LOCK FTG TUBE FRAM
34	2I-Z12311	GASKET -FIBER WASHER
NI	2E-307310	WIRE SET F556 HD ASSY 208/240
NI	WS-62903	HEAD ASSY F55 208V
	WS-62904	HEAD ASSY F55 240V