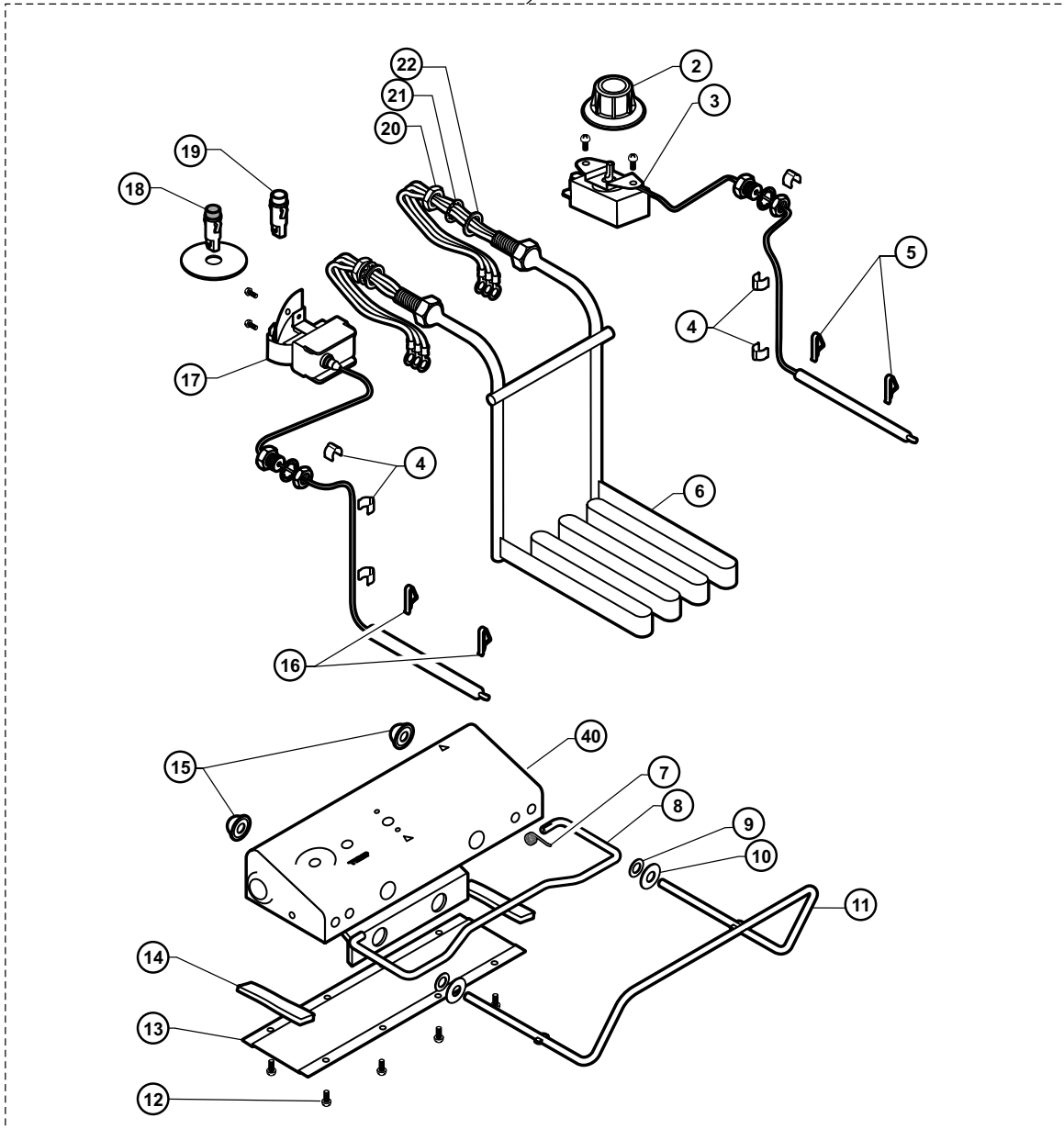


EXPLODED VIEW: F67

F67 COUNTERTOP DUAL-HEAD FRYER - FRY HEAD COMPONENTS

NOTE: Unit has two identical fryer heads. Only one is shown

- 1 HEAD ASSY COMPLETE, F67
WS-62915 (208V)
WS-62916 (208-240V)



Model: F67
COUNTERTOP DUAL-HEAD FRYER - FRY HEAD COMPONENTS

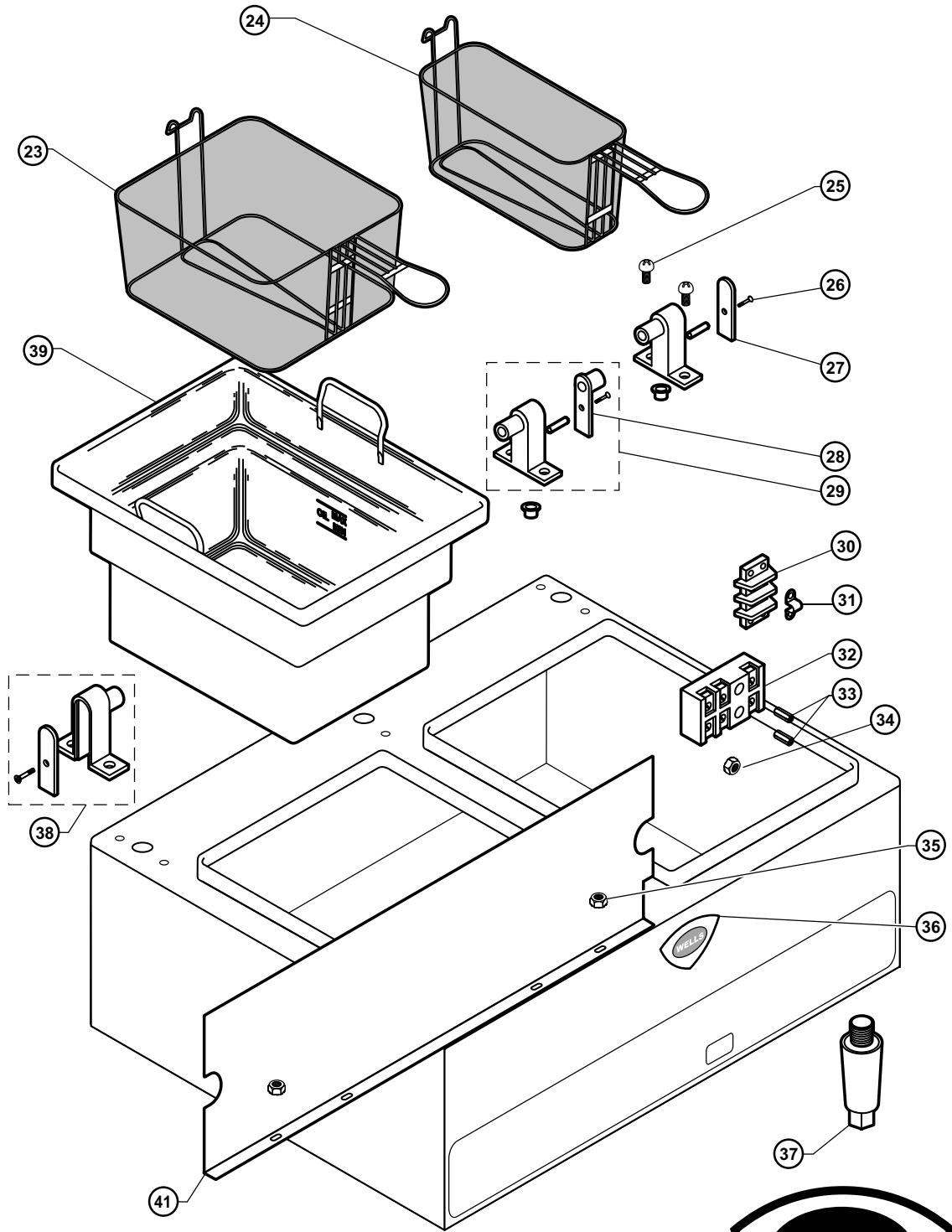
PL301



IL1867 Rev. B 12/2/14

301 p/n 2M-307588 Owners Manual Counter Top Standard Electric Fryers

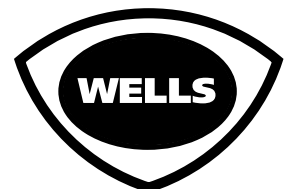
F67 COUNTERTOP DUAL-HEAD FRYER - CABINET COMPONENTS



301 p/n 2M-307588 Owners Manual Counter Top Standard Electric Fryers

Model: F67
COUNTERTOP DUAL-HEAD FRYER - CABINET COMPONENTS

PL301



IL1868 Rev. C 12/09/14

PARTS LIST: F67

Refer to exploded views on pages 18 & 19

F67 COUNTERTOP DUAL-HEAD FRYER		
Fig No.	Part Number	Description
1	WS-62915	HEAD ASSY F67 208V
	WS-62916	HEAD ASSY F67 208-240V
2	2R-34066	KNOB CONTROL ASSY
3	2T-30133	THERMO CTRL
4	2C-30157	CLIP CAPILLARY
5	2C-43665	CLAMP THERMO BULB
6	2N-42891UL	ELEM 208V 4600W
	2N-42892UL	ELEM 240V 4600W
7	2P-32428	SPRING SUPPORT ROD
8	WS-52427	ROD SUPPORT SHORT HEAD
9	2C-31208	WASHER NEOPRENE BASKET
10	2C-31207	WASHER FLAT SS BASKET
11	WS-51206	BASKET ROD
12	2C-35566	SCREW 6-32X1/4 PH TR HD
13	E7-507336	COVER CONTROL BOX
14	2I-35747	GASKET DRWR RWS CLOSED CE
15	2P-34452	CAP PUSH ON TYPE BASKET
16	2C-49689	CLAMP BULB SS
17	WS-58656	THERMO HI-LIMIT MAN RESET
18	2J-31157	LIGHT SIGNAL RED
19	2J-30516	LIGHT SIGNAL AMBER
20	2C-30172	NUT 7/8-14 HEX
21	2C-30176	WASHER LOCK FTG TUBE FRAM
22	2I-Z12311	GASKET -FIBER WASHER
23	2B-43689	BASKET WIRE SINGLE
24	2B-43688	BASKET WIRE TWIN
25	2C-33890	SCREW 12-24X3/4PH PAN ROL
26	2C-31717	SCREW 8-32X7/8 PH FL ROLO
27	2A-32806	COVER PIVOT BRKT TUMBLED
28	H6-33245	COVER PIVOT DBL TUMBLE DE
29	WS-53895	CENTER PIBOT BRKT
30	2E-33068	TERM BLOCK FLAME SENSOR
31	2E-34005	JUMPER FLAME SENSOR
32	WS-50131	TERM BLOCK KIT
33	2C-41974	NUT 8-32 HEX 7/8 LONG ALU
34	2C-35736	NUT 8-32 HEX KEPS MS GREEN
35	2C-31053	NUT 8-32 KEPS MS NICKEL
36	2M-300534	TRADEMARK DOMED LABEL
37	2R-Y5092	FEET ADJ 4 GRAY 3/8-16, PLASTIC
	2A-Z0314	FEET ADJ METAL 4"
38	WS-50183	HINGE BRACKET END
39	2D-301344	POT ASSY - F SERIES FRYER
40	E7-30464	COVER CONTROL BOX
41	E7-37878	COVER ACCESS
NI	WS-Z21128	RELAY SERVICE KIT