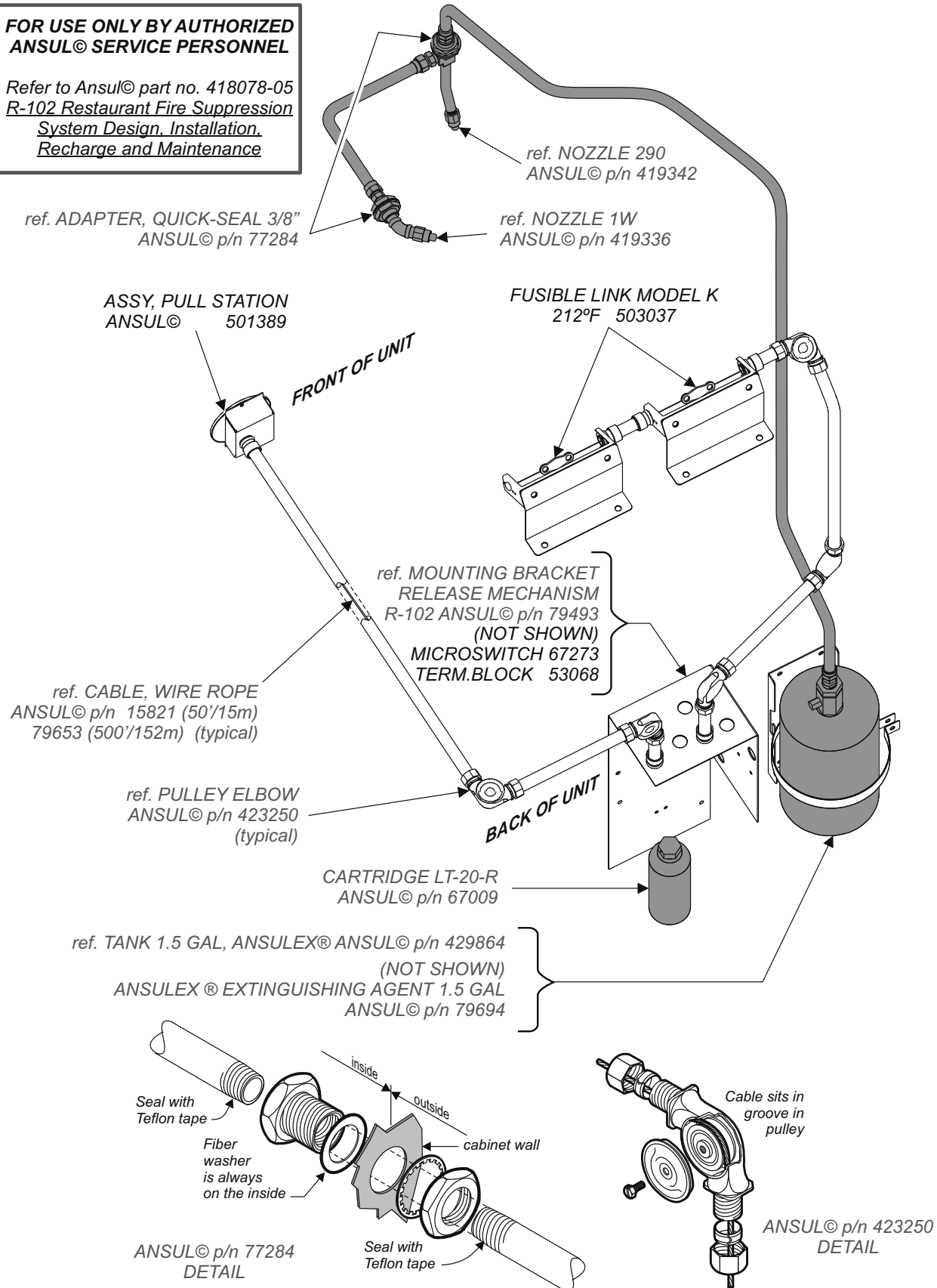


# PARTS BREAKDOWN for ANSUL® COMPONENTS

**FOR USE ONLY BY AUTHORIZED ANSUL® SERVICE PERSONNEL**

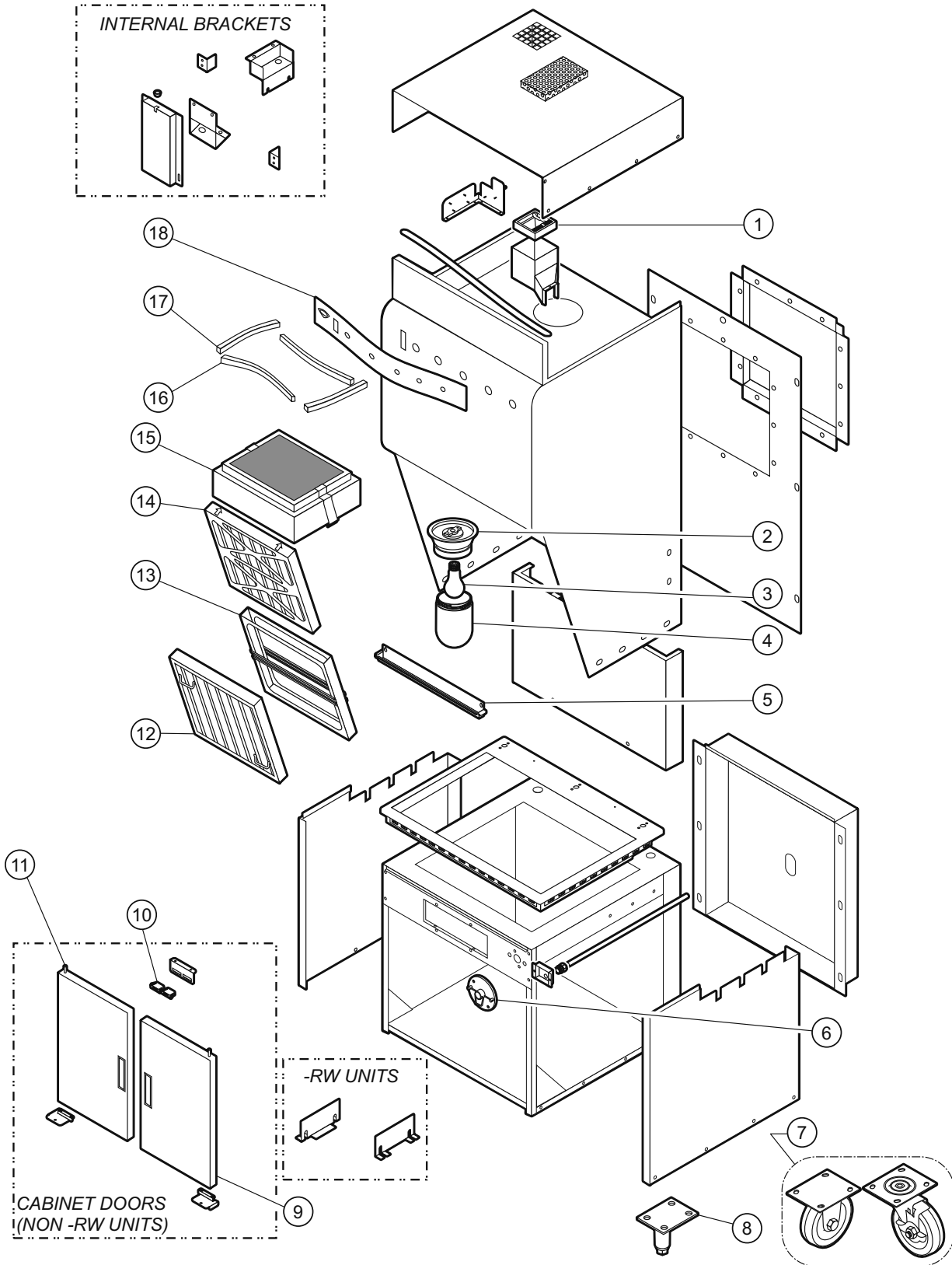
Refer to Ansul® part no. 418078-05  
R-102 Restaurant Fire Suppression  
System Design, Installation,  
Recharge and Maintenance



M502 p/n 2M-304986 Owners Manual WVG-136 Ventless Griddle

# EXPLODED VIEW

## HOOD CABINET COMPONENTS

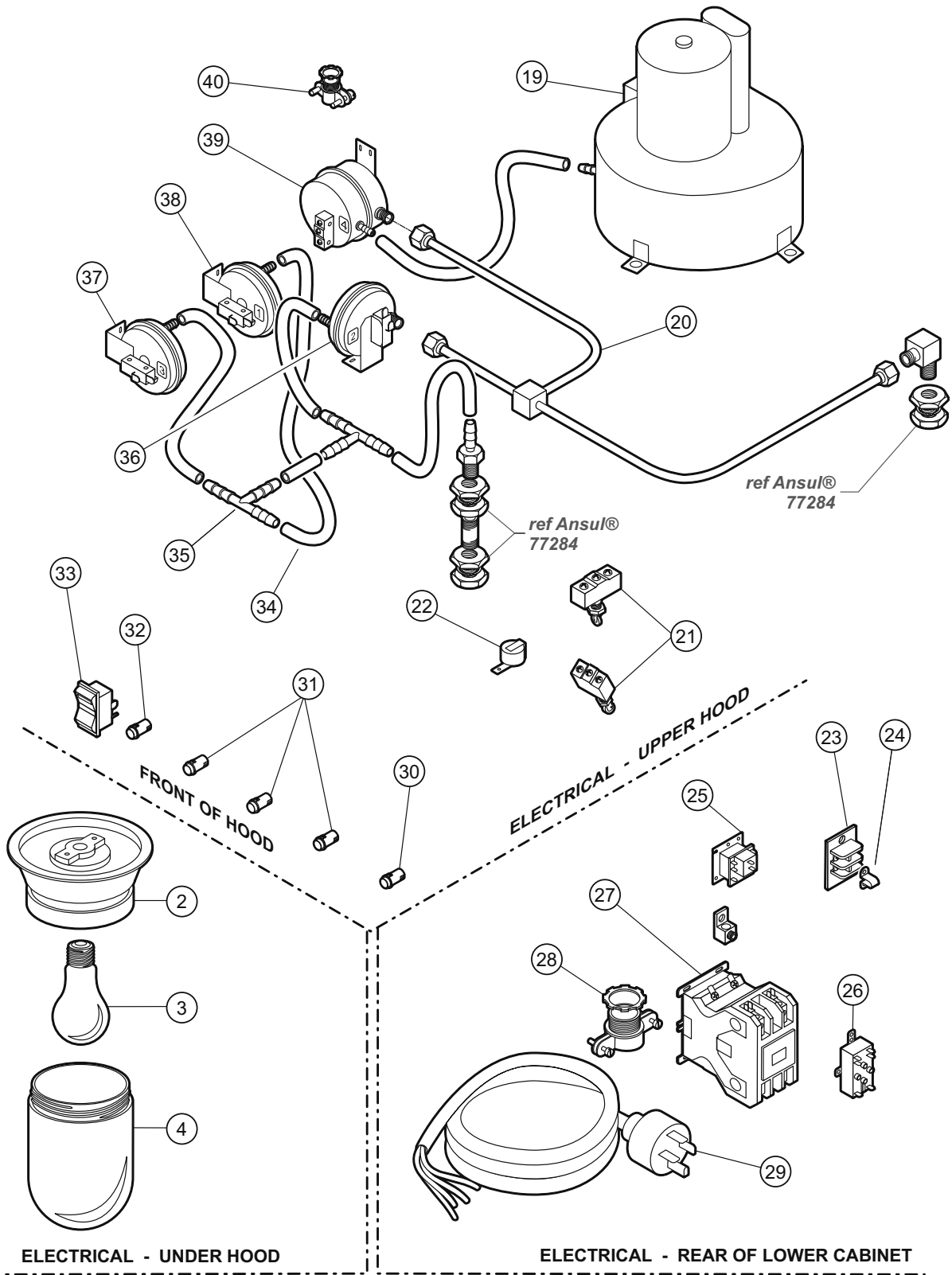


MODEL: WVG-136 HOOD CABINET COMPONENTS

IL2048

# EXPLODED VIEW

## HOOD ELECTRICAL and VACUUM COMPONENTS



M502 p/n 2M-304986 Owners Manual WVG-136 Ventless Griddle

MODEL: WVG-136 HOOD ELECTRICAL & VACUUM COMPONENTS

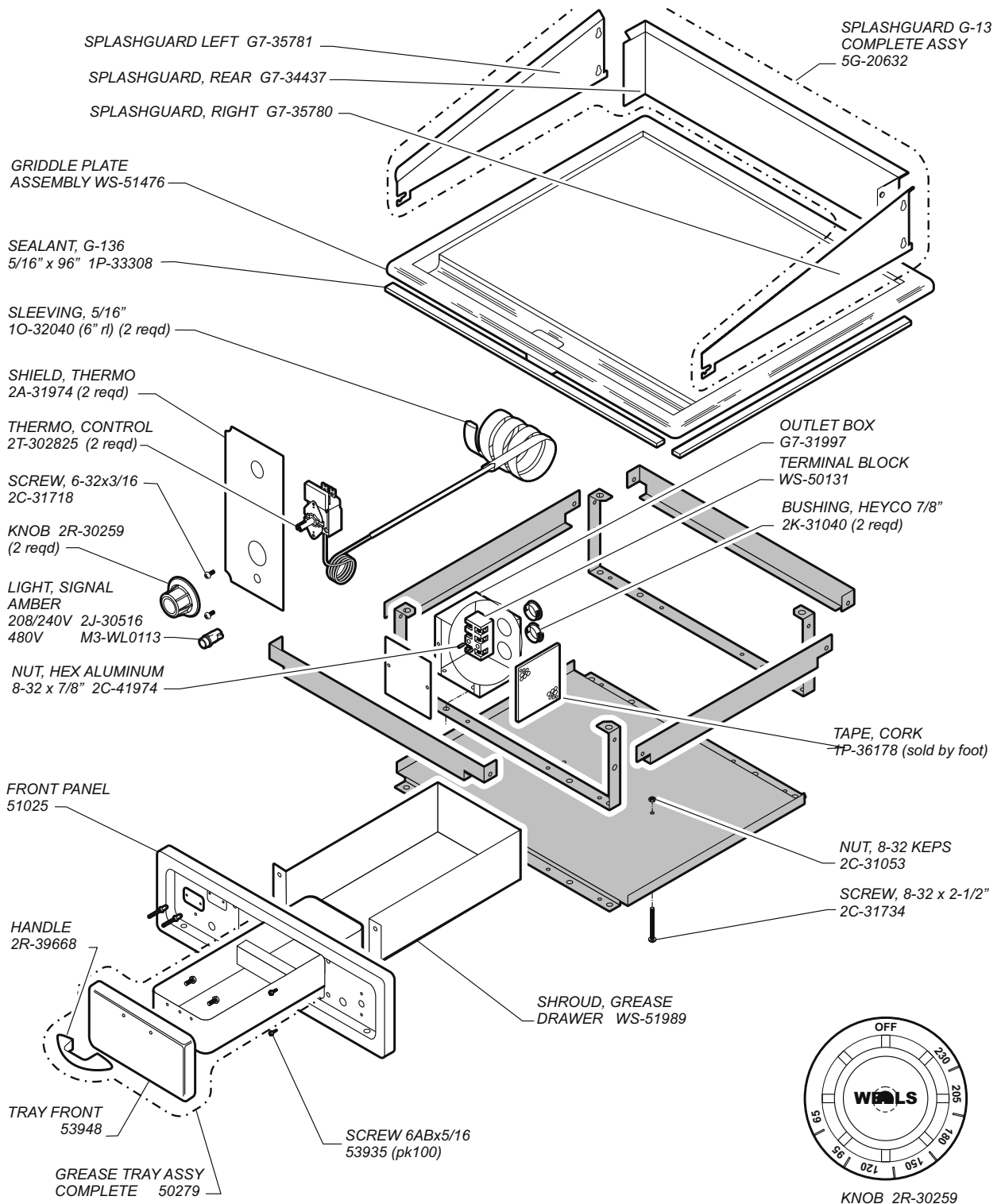
IL2049

## HOOD CABINET, ELECTRICAL & VACUUM PARTS LIST

WVG136 HOOD CABINET, ELECTRICAL & VACUUM COMPONENTS		
Fig No	Part No	Description
1	2V-302582	DAMPER
2	2E-305098	LIGHT HOUSING VCS HOOD
3	2S-305100	LIGHT BULB/100W-230V FRSTD
4	2Q-305099	GLASS GLOBE VCS HOOD
5	M3-304405	TRAY GREASE DRIP HOOD
6	2O-301389	REMOTE PULL STA ASSY
7	5E-20804	CASTER ASSY 2 FIXED / 2 SWIVEL
8	5M-22649	KIT LEG REAR OPT
9	M3-302646	DOOR ASSY RIGHT
10	2R-46502	MAGNET DOOR
11	M3-302642	DOORASSY LEFT
12	2I-302580	FILTER BAFFLE
13	M3-302688	PREFILTER CAGE
14	2I-302579	FILTER PRE UNIV HOOD
15	M3-302775	FILTERPACK ASSY UNIV HOOD
16	WS-502773	GASKET SILICONE .25X 5X18
17	M3-302772	GASKET SIL TAPE 3/8W X 15L
18	DD-502782	FACEPLATE FRNT PNL UNIV HOOD
19	2U-302584	BLOWER ASSY UNIVERSAL HD
20	N1-307594	TUBING ASSY VACUUM UNIV HOOD
21	2E-300407	SWITCH MANUAL ADVANCE ROT
22	2J-44834	BUZZER 220V ROHS
23	2E-33068	TERM BLOCK FLAME SENSOR
24	2E-34005	JUMPER FLAME SENSOR TERM
25	2E-43880	RLY 208/240 DPDT
26	2E-44514	RELAY 208-240V COIL
27	2E-Z15704	CONTACTOR 75A 3-POLE
28	2K-304420	STRAIN RELIEF 1 1/4NPT
29	M3-303130	CORD SET 60AMP 3-PHASE
30	2J-31157	LIGHT SIGNAL RED
31	2J-30516	LIGHT SIGNAL AMBER
32	2J-35697	LIGHT PILOT GREEN 250V
33	2E-70395	SWITCH ROCKER 240V 20A
34	2J-302629	HOSE, . 18"ID .31"OD, COIL, SOLD BY THE FOOT
35	2K-302630	TEE NYLON 3/16"
36	2E-302591	SWITCH VACUUM #2
37	2E-302592	SWITCH VACUUM #3
38	2E-302590	SWITCH VACUUM #1
39	2E-302593	SWITCH VACUUM #4
40	2K-37748X	FTG CONDUIT STRAIGHT 3/8

# EXPLODED VIEW & PARTS LIST

## GRIDDLE CABINET COMPONENTS

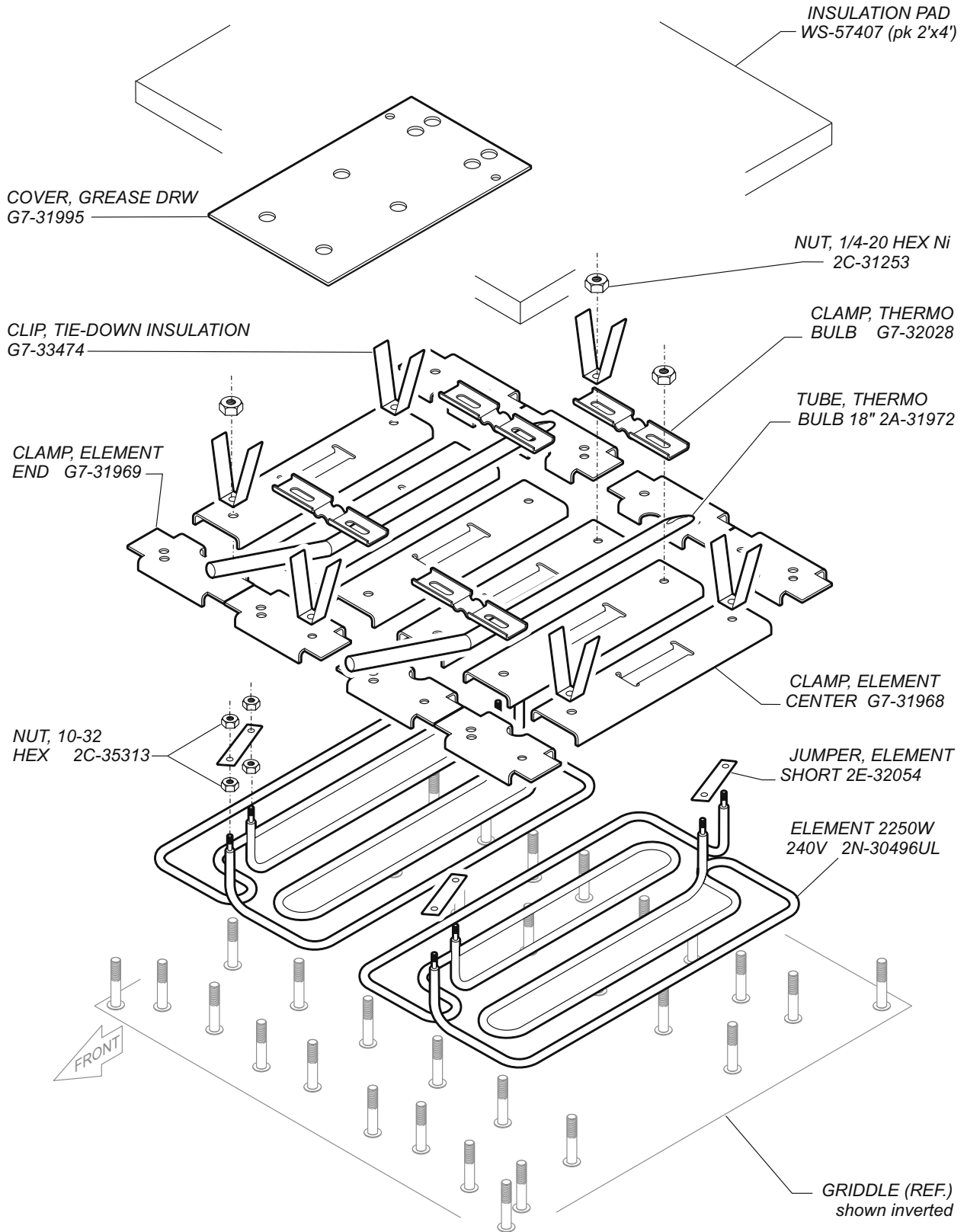


M502 p/n 2M-304986 Owners Manual WVG-136 Ventless Griddle

IL2320a, PL502

# EXPLODED VIEW & PARTS LIST

## GRIDDLE HEATING ELEMENT COMPONENTS

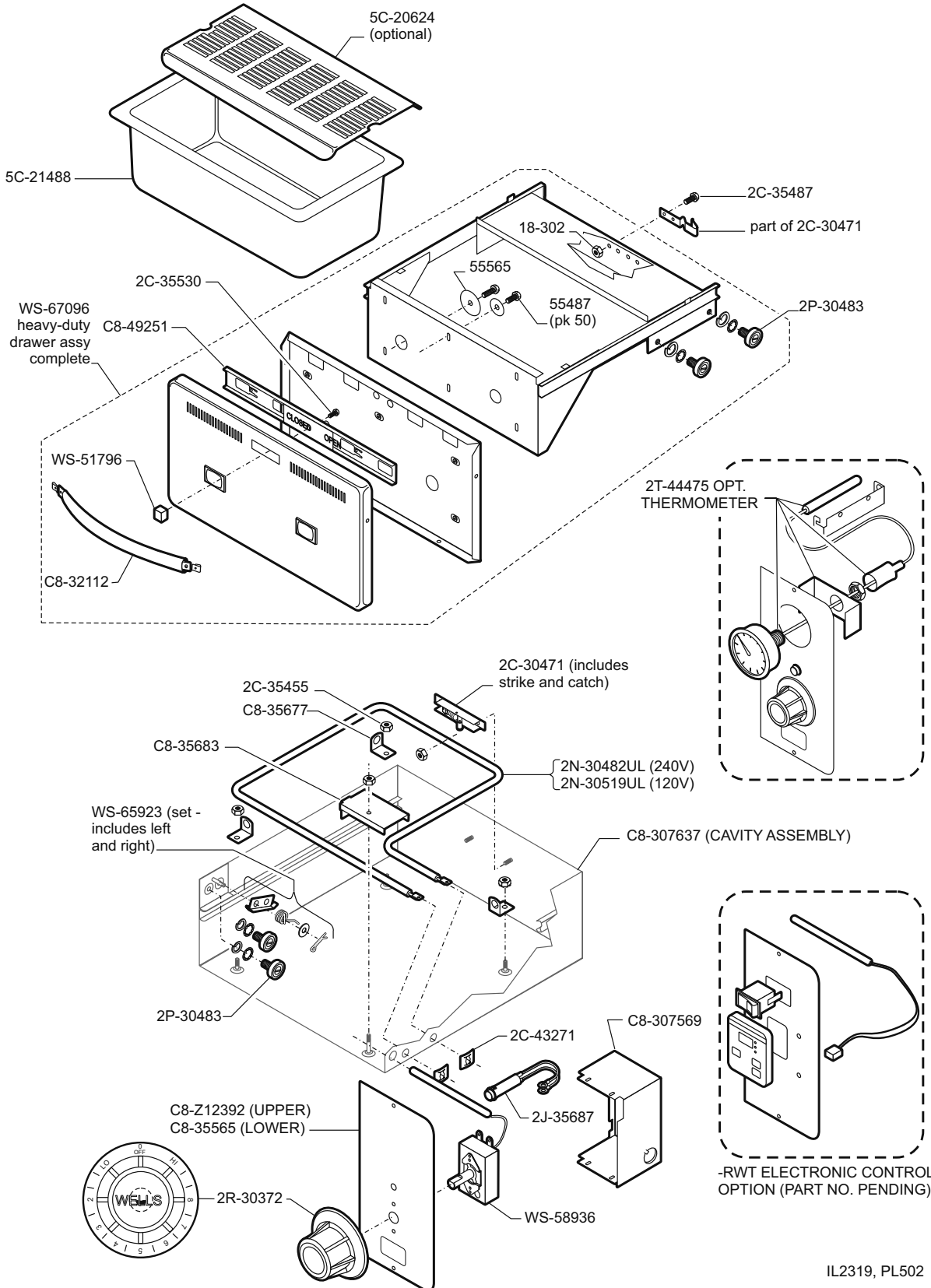


M502 p/n 2M-304986 Owners Manual WVG-136 Ventless Griddle

IL2321, PL502

# EXPLODED VIEW & PARTS LIST

## DRAWER WARMER COMPONENTS



M502 p/n 2M-304986 Owners Manual WVG-136 Ventless Griddle

IL2319, PL502