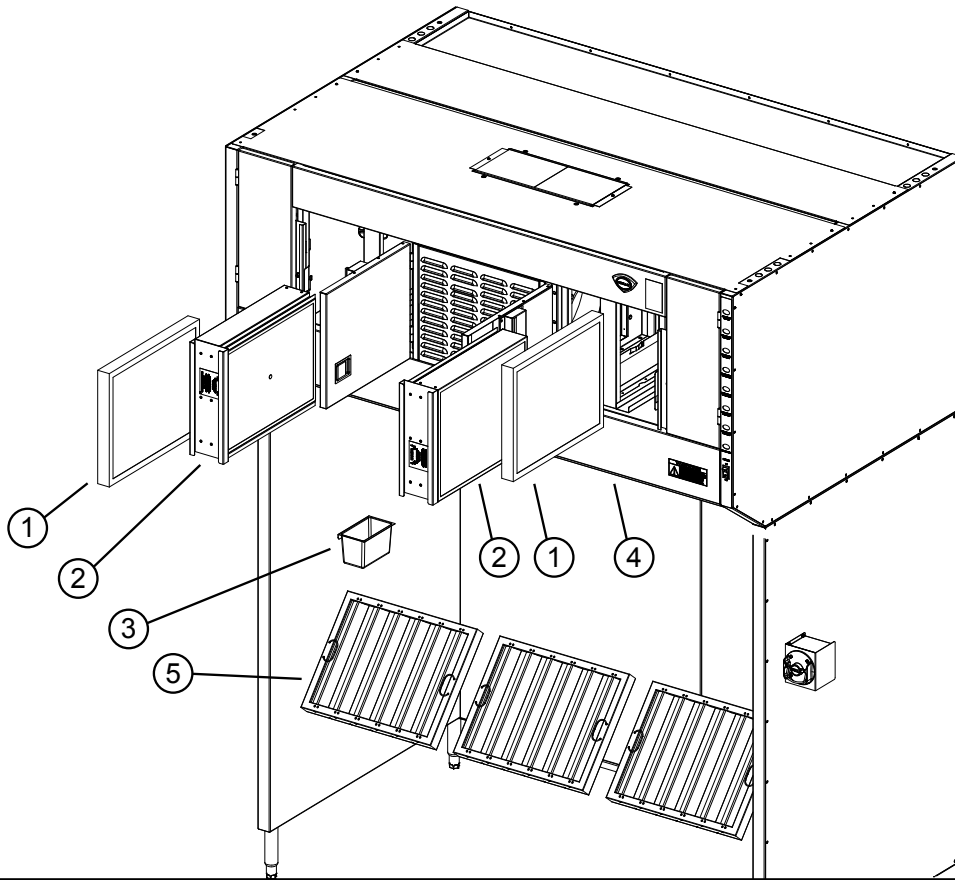
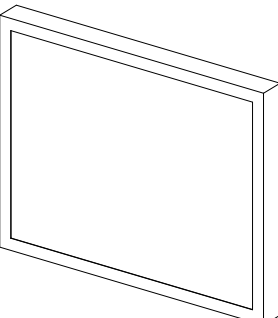
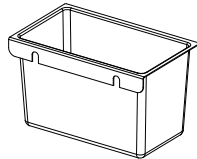
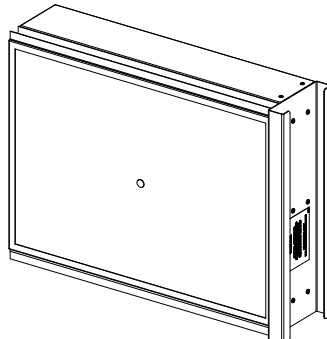

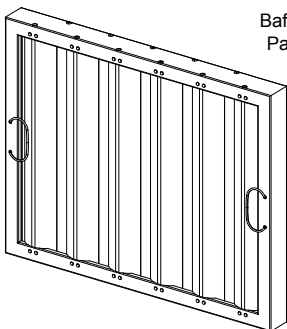


EXPLODED VIEW & PARTS LIST

Filter Maintenance



| | |
|----------------------------------------------------------------------------------------------------------------------------------------------------|-------------------------------------------------------------------------------------------------------------------------------------------------------------------------------------------------------------------------------------------------------------------------------------------|
| <p>①</p>  <p>Pre-Filter Hood Part No: 2I-302579</p> | <p>③ Grease Cup Part No: 2D-Z20435</p>  |
| <p>②</p>  <p>Filter HEPA/Carbon Pack Part No: N1-WL0711</p> | <p>④ Grease Trough Part No: N1-Z18977</p>  <p>⑤</p>  <p>Baffle Filter 16" x 20" Part No: 2I-Z20129</p> |

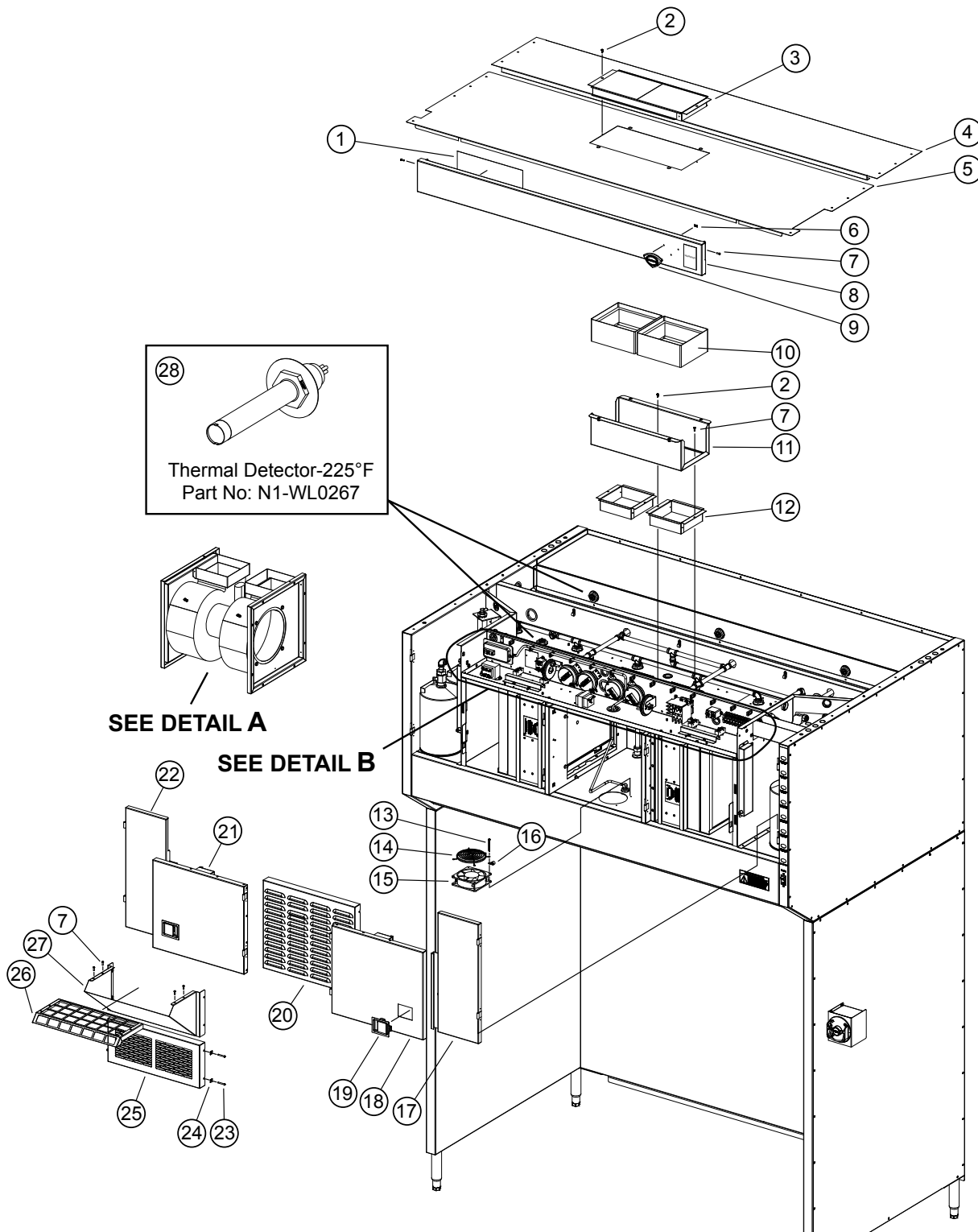
Model: WVU72 Filter Assembly

SK2939, Rev -, 12/22/15

M527 p/n 2M-Z19046 OpM WVU- Universal Hood

EXPLODED VIEW & PARTS LIST

Universal Hood Internal Controls



(28)
 Thermal Detector-225°F
 Part No: N1-WL0267

SEE DETAIL A
 SEE DETAIL B

WVU72: Universal Hood Internal Control



M527 p/n 2M-Z19046 OpM WVU- Universal Hood

PARTS LIST

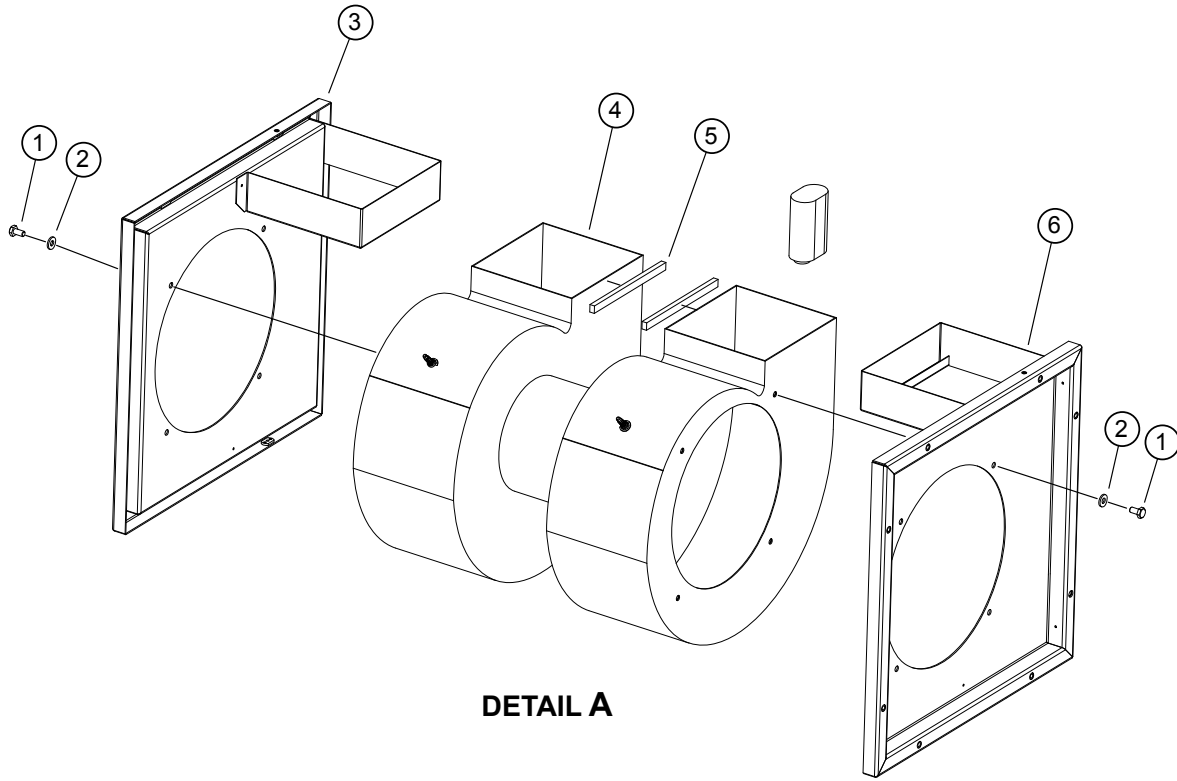
Universal Hood Internal Control

| Model WVU-72: Universal Hood Internal Controls | | | |
|------------------------------------------------|-------------|----------|-----------------------------|
| Fig No. | Part Number | Quantity | Description |
| 1 | 2M-Z19055 | 1 | LABEL, WIRE DIAGRAM |
| 2 | 2C-301522 | 57 | SCREW 8X1/2 PH PAN DRIL S |
| 3 | N1-WL0725 | 1 | DAMPER SCREEN ASSY |
| 4 | N1-Z18984 | 1 | PANEL, TOP COVER, REAR |
| 5 | N1-Z18978 | 1 | PANEL, TOP COVER, FRONT |
| 5 | N1-Z18987 | 2 | SPACER, BAFFLE, MIDDLE |
| 6 | 2C-31038 | 3 | RETAINER CLIP TINNEMAN B |
| 7 | 2C-1494 | 73 | SCREW 8-32X1/2 RHP STL NP |
| 8 | N1-Z18991 | 1 | PANEL, FRONT, ELECTRONICS |
| 9 | 2M-306719 | 1 | LOGO WELLS DIECAST SHIELD |
| 10 | 2V-307913 | 2 | DAMPER FIRE 8x9 WVU 212°F |
| 11 | N1-Z19770 | 1 | DAMPER CAGE, VERT DISCHARG |
| 12 | N1-WL0641 | 2 | VERTICAL DISCHARGE COLLAR |
| 13 | 2C-45201 | 4 | SCREW 8-32X2 PH PAN HD MS |
| 14 | 2R-Z20191 | 1 | WIRE GUARD 120MM |
| 15 | 2U-Z17520 | 1 | MUFFIN FAN 130CFM |
| 16 | 2C-Z18059 | 4 | CABLE CLAMP NYLON 1/2 DIA |
| 17 | N1-WL0635 | 1 | ANSUL DOOR ASSY, RIGHT |
| 18 | N1-WL0632 | 1 | FILTER DOOR ASSY, RIGHT |
| 19 | 2R-Z17654 | 1 | LATCH, DOOR |
| 20 | N1-Z19772 | 1 | PANEL, FRONT VERT DISCHARG |
| 21 | N1-WL0631 | 1 | FILTER DOOR ASSY, LEFT |
| 22 | N1-WL0638 | 1 | SUPPORT BAR ASSY, CEILING |
| 23 | 2C-H1559 | 4 | SCREW 8-32X1 1/4 RHP STL |
| 24 | 2C-70132 | 12 | NUT TNR ZI #8 |
| 25 | N1-Z18995 | 1 | FRONT DISCHARGE VENT |
| 26 | N1-Z19846 | OPTIONAL | SCREEN ASY, HORIZ DISCHARGE |
| 27 | N1-Z19842 | OPTIONAL | DIVERTER ASSEMBLY |
| 28 | 2T-Z15320 | 5 | THERMAL DETECTOR-225F |

January 5, 2016

EXPLODED VIEW

Universal Hood Blower Assembly



DETAIL A

Model WVU-72: Universal Hood Detail A

| Fig No. | Part Number | Quantity | Description |
|---------|-------------|--------------|---------------------------|
| 1 | 2C-Y1221 | 8 | BOLT 1/4-20X1/2 HEX STL |
| 2 | 2C-1811 | 8 | WASHER 1/4 BURR STL NP |
| 3 | N1-WL0674 | 1 | BLOWER SUPPORT ASY, LEFT |
| 4 | 2U-Z19006 | 1 | BLOWER, DUAL CAGE |
| 5 | 1P-302749 | SOLD BY FOOT | TAPE SILICONE GRAY VCS 3/ |
| 6 | N1-WL0675 | 1 | BLOWER SUPPORT ASY, RIGHT |

M527 p/n 2M-Z19046 OpM WVU- Universal Hood

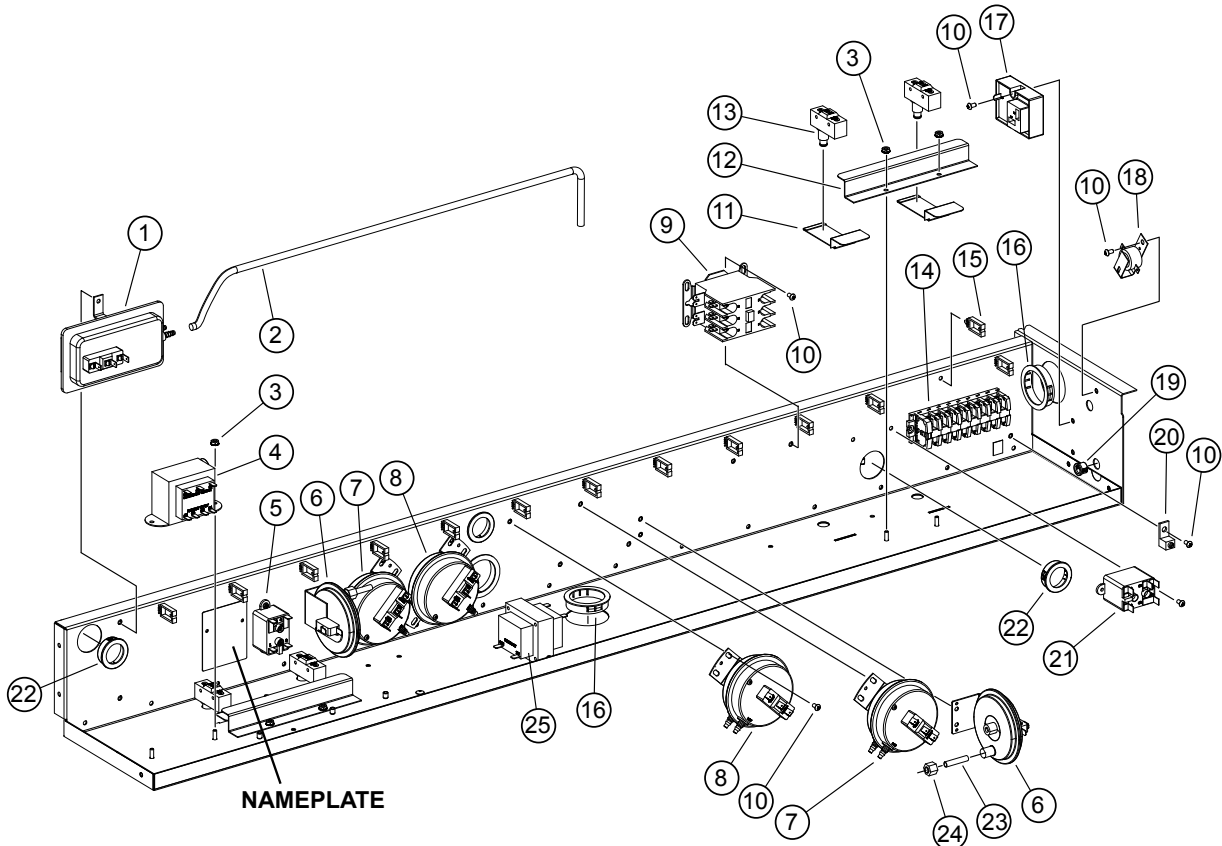
WVU72: Blower Assembly



SK2942 Rev. - 12/28/2015

PARTS LIST

Universal Hood Internal Controls: Detail B



DETAIL B

WVU72: Internal Control Assembly



SK2943 Rev. - 12/28/2015

M527 p/n 2M-Z19046 OpM WVU- Universal Hood

EXPLODED VIEW: DETAIL B

Universal Hood Internal Controls: Detail B

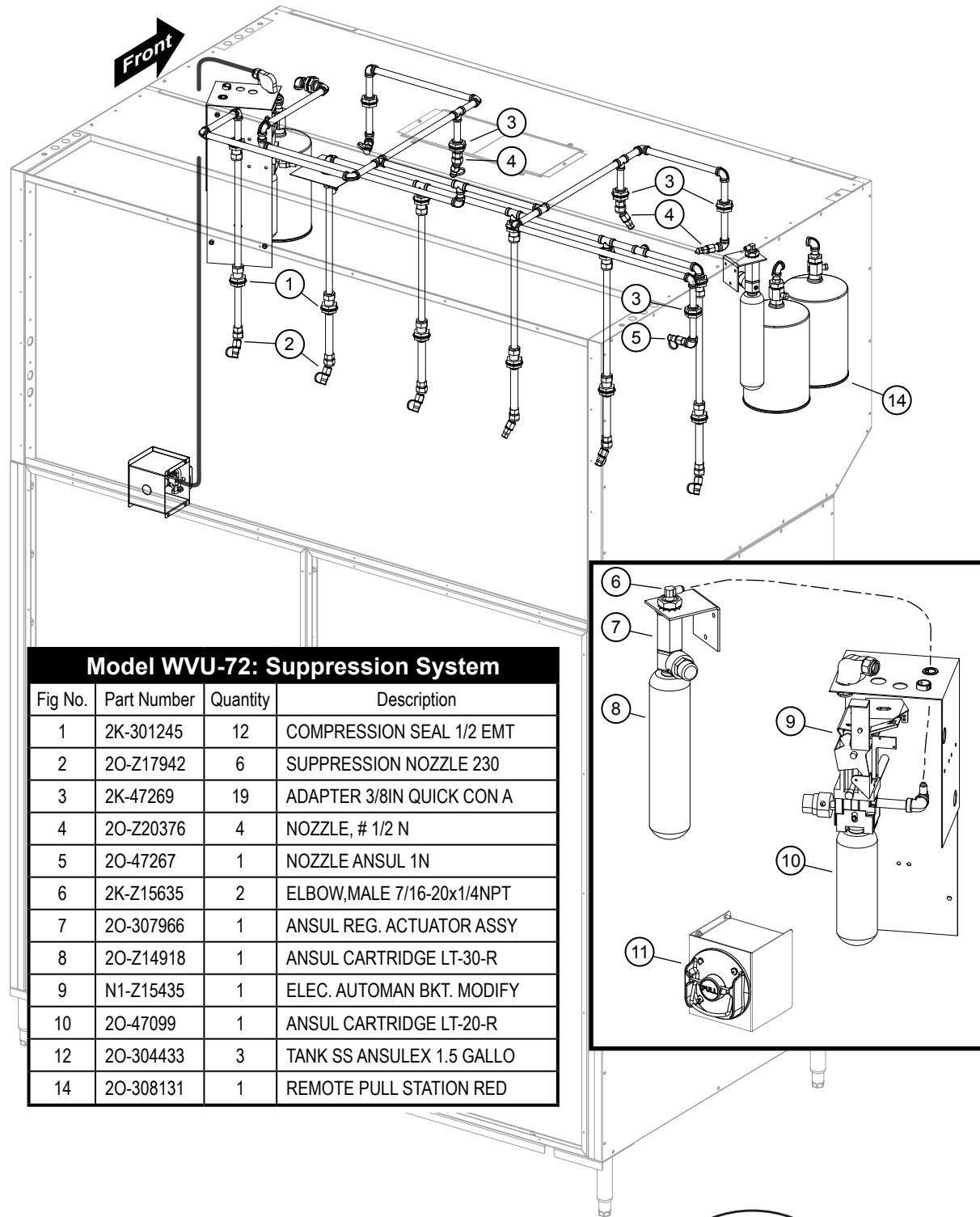
| Model WVU-72: Internal Controls Assy, Detail B | | | |
|------------------------------------------------|-------------|---------------|----------------------------|
| Fig No. | Part Number | Quantity | Description |
| 1 | 2E-Z14673 | 1 | PRESSURE SWITCH |
| 2 | 2J-302629 | sold per foot | HOSE, .18" ID- .31OD |
| 3 | 2C-Z7165 | 4 | NUT 8-32 HEX SS W/EXT WSH |
| 4 | 2E-Z15335 | 1 | TRANSFORMER, 208/240 |
| 5 | 2E-Z15353 | 1 | RELAY, 120V COIL, SPNO |
| 6 | 2E-Z21019 | 2 | SWITCH VACUUM #2 |
| 7 | 2E-Z21020 | 2 | VACUUM SWITCH, FILTER |
| 8 | 2E-Z15365 | 2 | PRESSURE SWITCH |
| 9 | 2E-Z14960 | 1 | CONTACTOR, 40A |
| 10 | 2C-31715 | 120 | SCREW 8-32X5/16 PH RD HD |
| 11 | N1-Z18063 | 4 | PLATE, INTERLOC |
| 12 | N1-Z19947 | 2 | RETENSION PLATE |
| 13 | 2E-Z12427 | 9 | SWITCH, SPDT (DOOR) |
| 14 | WS-WL0282 | 1 | TERMINAL BLOCK ASSY 8 POLE |
| 15 | 2C-Z19786 | 16 | WIRE SADDLE 1.0 X 0.6 |
| 16 | 2K-Y8571 | 9 | BUSHING SNAP 2 1/8 |
| 17 | 2P-Z17415 | 1 | TIMER,CUBE/ RELAY |
| 18 | 2J-44834 | 1 | BUZZER 220V ROHS |
| 19 | 2K-Y1139 | 2 | BUSHING HEYCO SB500-6 |
| 20 | 2C-307288 | 1 | LUG GROUND SOLDERLESS 2-1 |
| 21 | 2E-44514 | 1 | RELAY 208-240V COIL |
| 22 | 2K-70801-02 | 6 | SNAP BUSH 1 3/8 SB1375-16 |
| 23 | N1-301433 | 2 | TUBING ALUM 1/4 X 1 1/4 |
| 24 | 2C-307597 | 2 | NUT COMPRESSION 7/16-24 B |
| 25 | 2E-Z15018 | 1 | TRANSFORMER, 208/240 12V |

M527 p/n 2M-Z19046 OpM WVU- Universal Hood

January 5, 2016

EXPLODED VIEW & PARTS LIST

Universal Hood Suppression System



Model WVU-72: Suppression System

| Fig No. | Part Number | Quantity | Description |
|---------|-------------|----------|---------------------------|
| 1 | 2K-301245 | 12 | COMPRESSION SEAL 1/2 EMT |
| 2 | 20-Z17942 | 6 | SUPPRESSION NOZZLE 230 |
| 3 | 2K-47269 | 19 | ADAPTER 3/8IN QUICK CON A |
| 4 | 20-Z20376 | 4 | NOZZLE, # 1/2 N |
| 5 | 20-47267 | 1 | NOZZLE ANSUL 1N |
| 6 | 2K-Z15635 | 2 | ELBOW,MALE 7/16-20x1/4NPT |
| 7 | 20-307966 | 1 | ANSUL REG. ACTUATOR ASSY |
| 8 | 20-Z14918 | 1 | ANSUL CARTRIDGE LT-30-R |
| 9 | N1-Z15435 | 1 | ELEC. AUTOMAN BKT. MODIFY |
| 10 | 20-47099 | 1 | ANSUL CARTRIDGE LT-20-R |
| 12 | 20-304433 | 3 | TANK SS ANSULEX 1.5 GALLO |
| 14 | 20-308131 | 1 | REMOTE PULL STATION RED |

WVU72: Suppression System

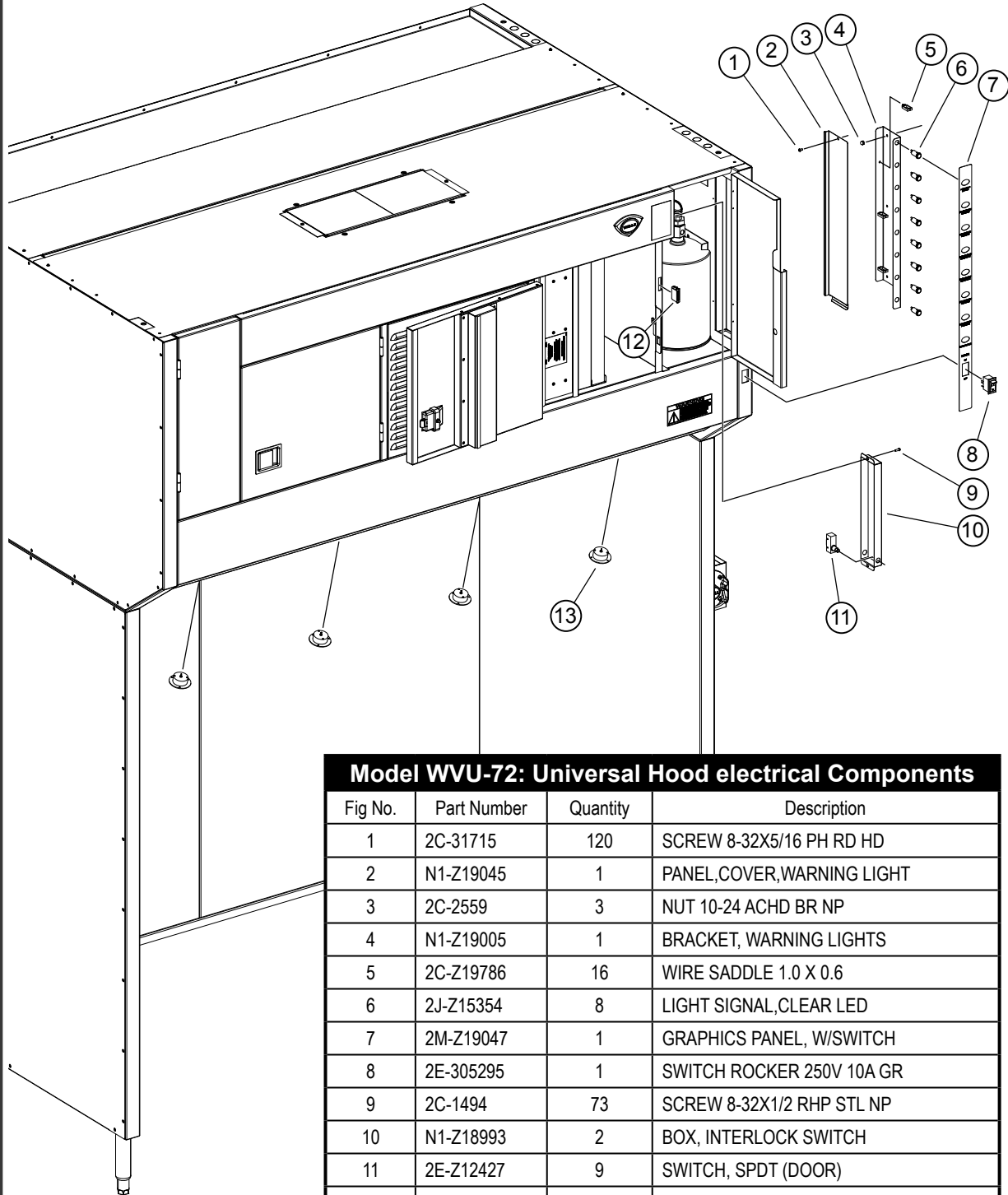


SK2941 Rev. - 12/28/2015

M527 p/n 2M-Z19046 OpM WVU- Universal Hood

EXPLODED VIEW & PARTS LIST

Universal Hood Internal Control (Detail b)



Model WVU-72: Universal Hood electrical Components

| Fig No. | Part Number | Quantity | Description |
|---------|-------------|----------|---------------------------|
| 1 | 2C-31715 | 120 | SCREW 8-32X5/16 PH RD HD |
| 2 | N1-Z19045 | 1 | PANEL,COVER,WARNING LIGHT |
| 3 | 2C-2559 | 3 | NUT 10-24 ACHD BR NP |
| 4 | N1-Z19005 | 1 | BRACKET, WARNING LIGHTS |
| 5 | 2C-Z19786 | 16 | WIRE SADDLE 1.0 X 0.6 |
| 6 | 2J-Z15354 | 8 | LIGHT SIGNAL,CLEAR LED |
| 7 | 2M-Z19047 | 1 | GRAPHICS PANEL, W/SWITCH |
| 8 | 2E-305295 | 1 | SWITCH ROCKER 250V 10A GR |
| 9 | 2C-1494 | 73 | SCREW 8-32X1/2 RHP STL NP |
| 10 | N1-Z18993 | 2 | BOX, INTERLOCK SWITCH |
| 11 | 2E-Z12427 | 9 | SWITCH, SPDT (DOOR) |
| 13 | 2E-Z14669 | 4 | LED FLOODLIGHT, 45W CW |

M527 p/n 2M-Z19046 OpM WVU- Universal Hood

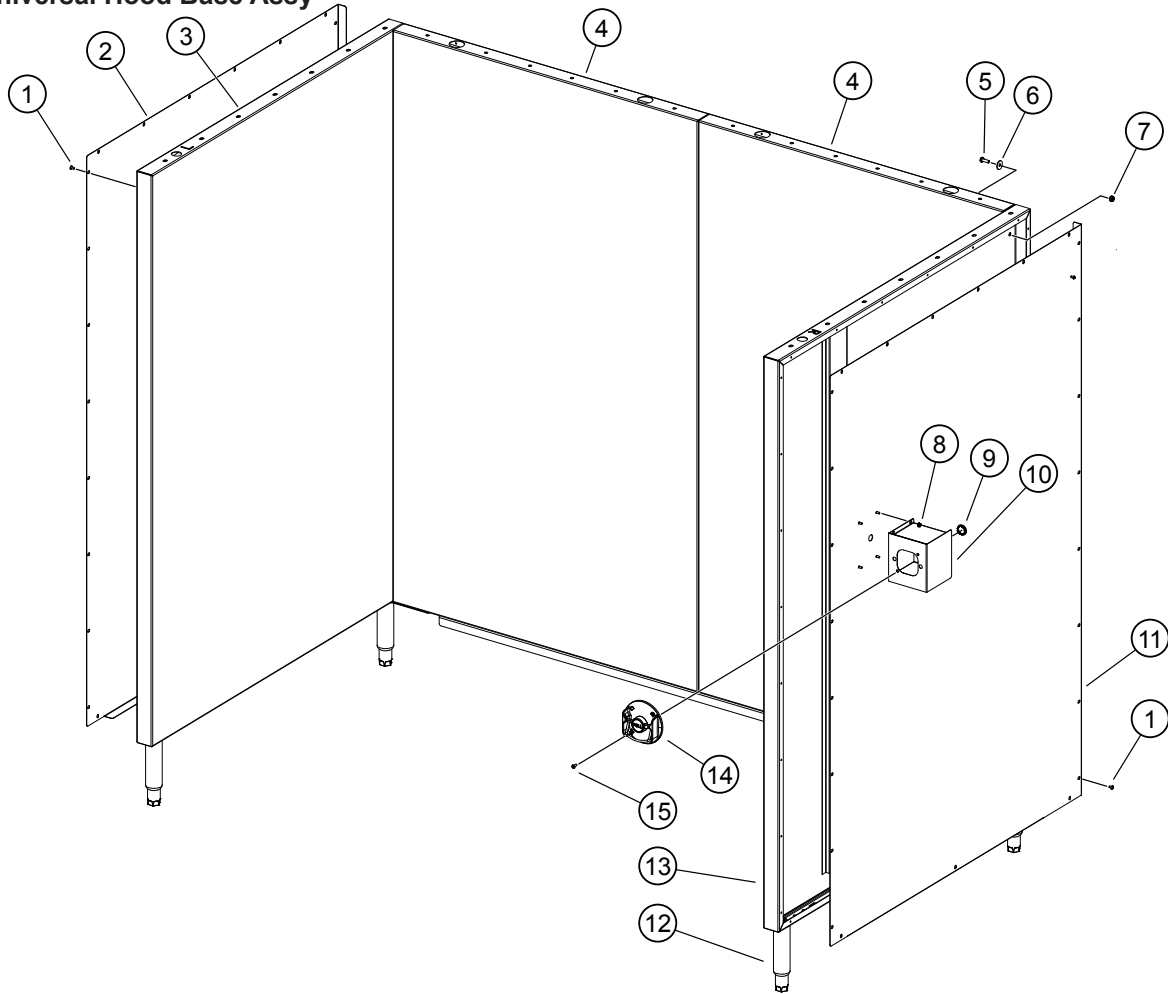
WVU72: Electrical Components



SK2944 Rev. - 12/29/2015

EXPLODED VIEW & PARTS LIST

Universal Hood Base Assy



Model WVU-72: Universal Hood Base Assembly

| Fig No. | Part Number | Quantity | Description |
|---------|-------------|----------|---------------------------|
| 1 | 2C-31715 | 50 | SCREW 8-32X5/16 PH RD HD |
| 2 | N1-Z14152 | 1 | COVER, BASE SIDE LEFT |
| 3 | N1-WL0661 | 1 | BASE, SUPPORT ASSY, LEFT |
| 4 | N1-Z19037 | 2 | PANEL, REAR BASE SUPPORT |
| 5 | 2C-Z5555 | 70 | BOLT 1/4-20 X .75 HEX SS |
| 6 | 2C-A27469 | 70 | WASHER,FLAT 1/4IN 7/8OD 1 |
| 7 | 2C-6517 | 70 | NUT 1/4-20 HEX STL NP |
| 9 | 2P-70903-05 | 1 | PLG BTN PLTD MTL 7/8 |
| 10 | N1-WL0126 | 1 | BOX, MANUAL PULL ASSEMBLY |
| 11 | N1-WL0180 | 1 | COVER,BASE SIDE RT ASSY |
| 12 | 2A-307628 | 4 | LEG 6 ADJ 1/2-13 SS |
| 13 | N1-WL0662 | 1 | BASE, SUPPORT ASSY RIGHT |
| 15 | 2C-31730 | 2 | SCREW 8-32X1/2 PH TR HD M |

WVU72: Base Assembly



SK2945 Rev. - 12/29/2015

M527 p/n 2M-Z19046 OpM WVU- Universal Hood