

WELLS BLOOMFIELD, LLC
2 ERIK CIRCLE, P. O. Box 280 Verdi, NV 89439
telephone: 775-689-5703
fax: 775-689-5976
www.wellsbloomfield.com

508

PARTS LIST

PL508

**WV-2HFG
WV-2HSG
VENTLESS GRIDDLE/HOTPLATE COOKTOP
WITH OR WITHOUT ROLL WARMER**

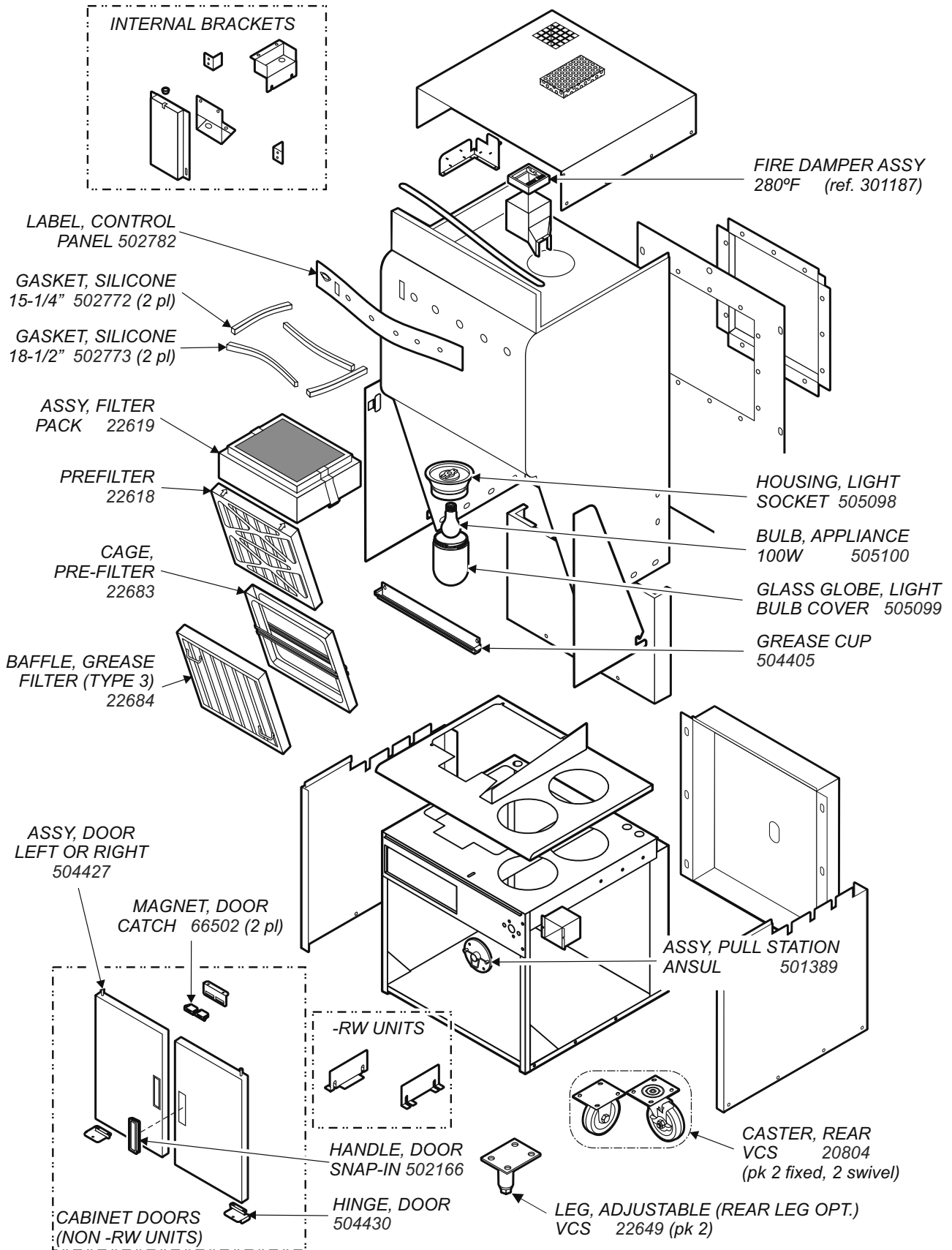
CONTENTS

Description	page
Parts List	2
WV-2H(S)G Hood Section	
Cabinet	4
Hood Electrical and Vacuum	5
WV-2HG Cooktop Components	6
WV-2H(S)G-RW Roll Warmer Section	7
Ansul© Fire Detection & Suppression	8

PRINTED IN UNITED STATES OF AMERICA

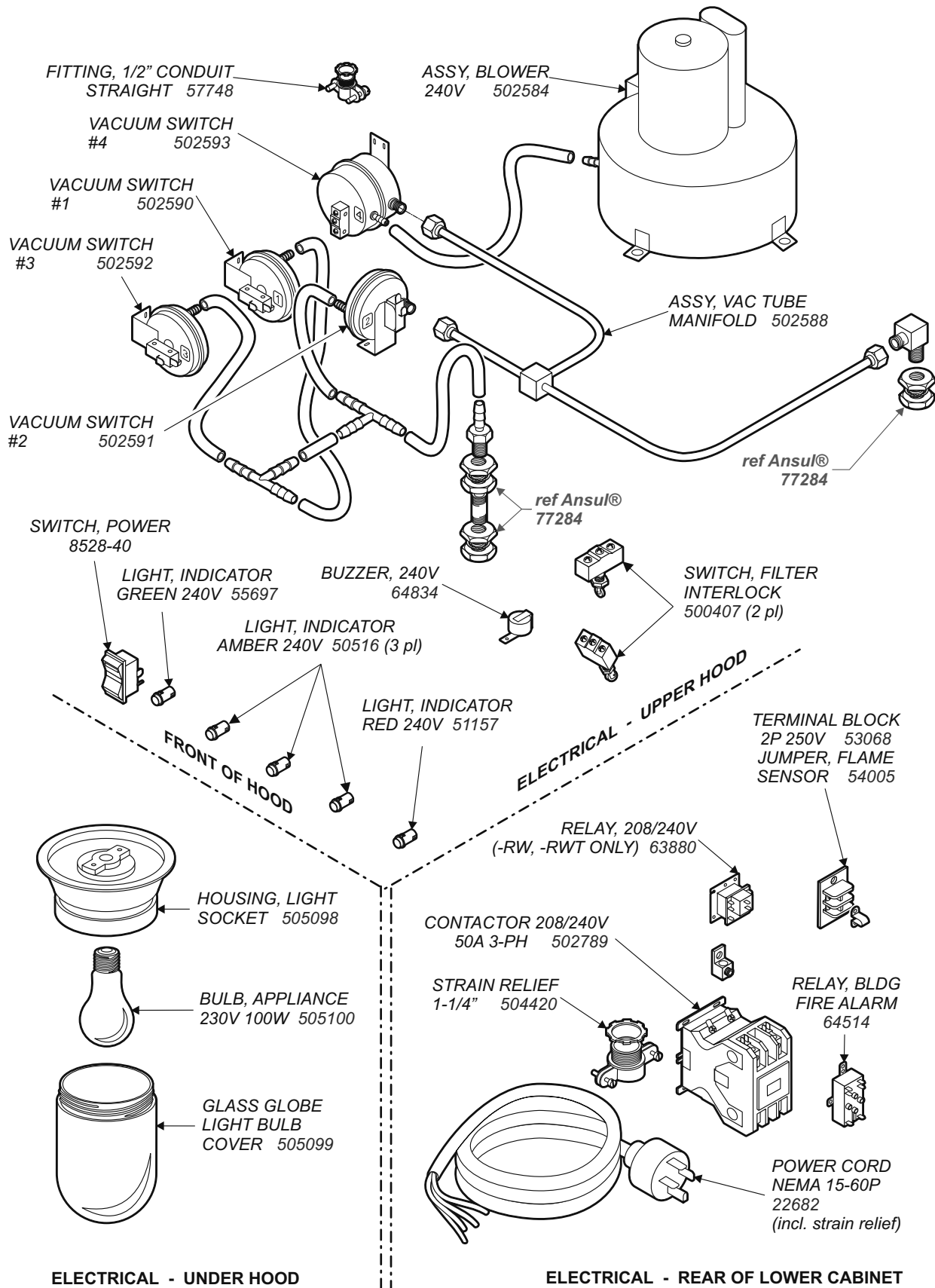
PART #	DESCRIPTION	PART #	DESCRIPTION	PART #	DESCRIPTION
ELECTRICAL		HARDWARE		ANSUL® COMPONENTS	
50293	ELEM, SPIRAL HOTPLATE 240V	51053	NUT, 8-32 KEPS SS (pk 100)	<i>NOTE: Provided for reference only All servicing of the fire detection and suppression system must be performed by an authorized Ansul technician</i>	
50482	ELEM 240V 450W RW	51038	RETAINER TRADEMARK (pk 10)	53068	TERMINAL BLOCK 2P (no Ansul p/n)
50512	ELEM 240V 3000W GRIDDLE	51040	GROMMET INSULATION 7/8D HEYCO	67273	SWITCH ELECTRIC (Ansul p/n 423575)
50516	LIGHT, INDICATOR AMBER 240V	51053	NUT, 8-32 KEPS (pk 100)	501389	ASSY, PULL STATION ANSUL® (Ansul p/n 4835)
50562	INF. SWITCH 240V HOTPLATE	51717	SCREW, 8-32x7/8 (pk 40)	502583	FUSIBLE LINK 165°F Model K (no Ansul p/n)
50516	LIGHT, SIGNAL AMBER 240V	51718	SCREW, 6-32x3/16 (pk 10)	504112	FUSIBLE LINK 212°F Type B (no Ansul p/n)
50562	INFINITE SWITCH 240V HOTPLATE	52428	SPRING, HEAD SUPPORT ROD		CABLE, WIRE ROPE , 50 FT/15m (Ansul p/n 15821)
51157	LIGHT, INDICATOR RED 240V	53890	SCREW, 12-24x3/4 (pk 10)		ANSULEX® FIRE EXTINGUISHING MEDIA, 1.5 GAL. (Ansul p/n 79694)
53068	TERMINAL BLOCK 2P (FIRE ALARM)	53935	SCREW 6X1/4 SHEET METAL (pk 100)		EXPELLANT GAS CARTRIDGE ASSY LT-20-R (Ansul p/n 67099)
54005	JUMPER, FLAME SENSOR	53977	SCREW, 8-32x3/8PHBD (pk 100)		QUICK-SEAL ADAPTER, 3/8" (Ansul p/n 77284)
54131	CONNECTOR WIRE 12-14 GA	54131	CONNECTOR WIRE 12-14 GA		QUICK-SEAL ADAPTER, 1/4" (Ansul p/n 78195)
55687	LIGHT SIGNAL GLO-DOT W/#8 RING	54136	FTG FLEX COND 90DEGx1/2IN		MOUNTING BRACKET, RELEASE MECH. R-102 (Ansul p/n 79493)
55697	LIGHT, INDICATOR GREEN 240V	54222	WASHER FLAT #10		CABLE, WIRE ROPE , 500 FT/152m (Ansul p/n 79653)
58936	THERMOSTAT, CONTROL RW	54284	RIVET, POP 3/32Dx1/8		<u>DESIGN, INSTALLATION, RECHARGE AND MAINTENANCE MANUAL FOR R-102 RESTAURANT FIRE SUPPRESSION SYSTEM (STD. UL 300 LISTED)</u> (Ansul p/n 418087-05)
63880	RELAY, 208/240V	54285	SCREW, 8-32x3/8 (pk 50)		NOZZLE 1W (Ansul p/n 419336)
64514	RELAY, BLDG FIRE ALARM	55135	SCREW, 6-32x1/4 RD (pk 25)		NOZZLE 290 (Ansul p/n 419342)
64834	BUZZER 240V	55485	NUTS, 1/4-20 (pk 100)		PULLEY ELBOW, COMPRESSION ENDS (Ansul p/n 423250)
500407	SWITCH FILTER INTERLOCK	55487	SCREW, 8-32x11/16 (pk 50)		TANK, 1.5 GAL ANSULEX® (Ansul p/n 429864)
502584	ASSY, BLOWER FAN & MOTOR	55530	SCREW, 8-32x3/8 (pk 100)		
502590	VACUUM SWITCH #1	55565	WASHER 2-1/4 DRWR BACK RWS		
502591	VACUUM SWITCH #2	55566	SCREW, 6x1/4 SS (pk 100)		
502592	VACUUM SWITCH #3	55736	NUT, 8-32 KEPS GREEN (pk 10)		
502593	VACUUM SWITCH #4	57748	FTG CONDUIT STRAIGHT 1/2IN		
502789	CONTACTOR 208/240V 3Ø 50A	60612	SCREWS, 1/4-20x1/2		
502825	THERMO 400F, GRIDDLE	60680	NUTS, 10-32 KEPS SS (pk 10)		
503973	ELEMENT, SOLID HOTPLATE 240V	61262	RIVET 1/8X1/4SS ROLL WRMR (pk 50)		
504438	CORDSET 6/4 NEMA 15-60P	61974	NUT, 8-32x7/8 LONG AL (pk 10)		
505098	HOUSING, LIGHT SOCKET	62504	CLAMP BULB SAFETY (pk 4)		
505100	LIGHT BULB APPLIANCE 230V 100W	63271	CLIP RETAINER PILOT LIGHT (pk 10)		
8528-40	SWITCH, POWER (NO LIGHT)	65405	SPACER DRWR STOP SS RWS		
		500102	STRAIN RELIEF		
		504420	STRAIN RELIEF 1 1/4NPT		
		18-302	NUT, 8-32 HEX SS		
		8543-74	NUT, 4-40 HEX SS		

WV-2HG CABINET AND HOOD SECTION COMPONENTS



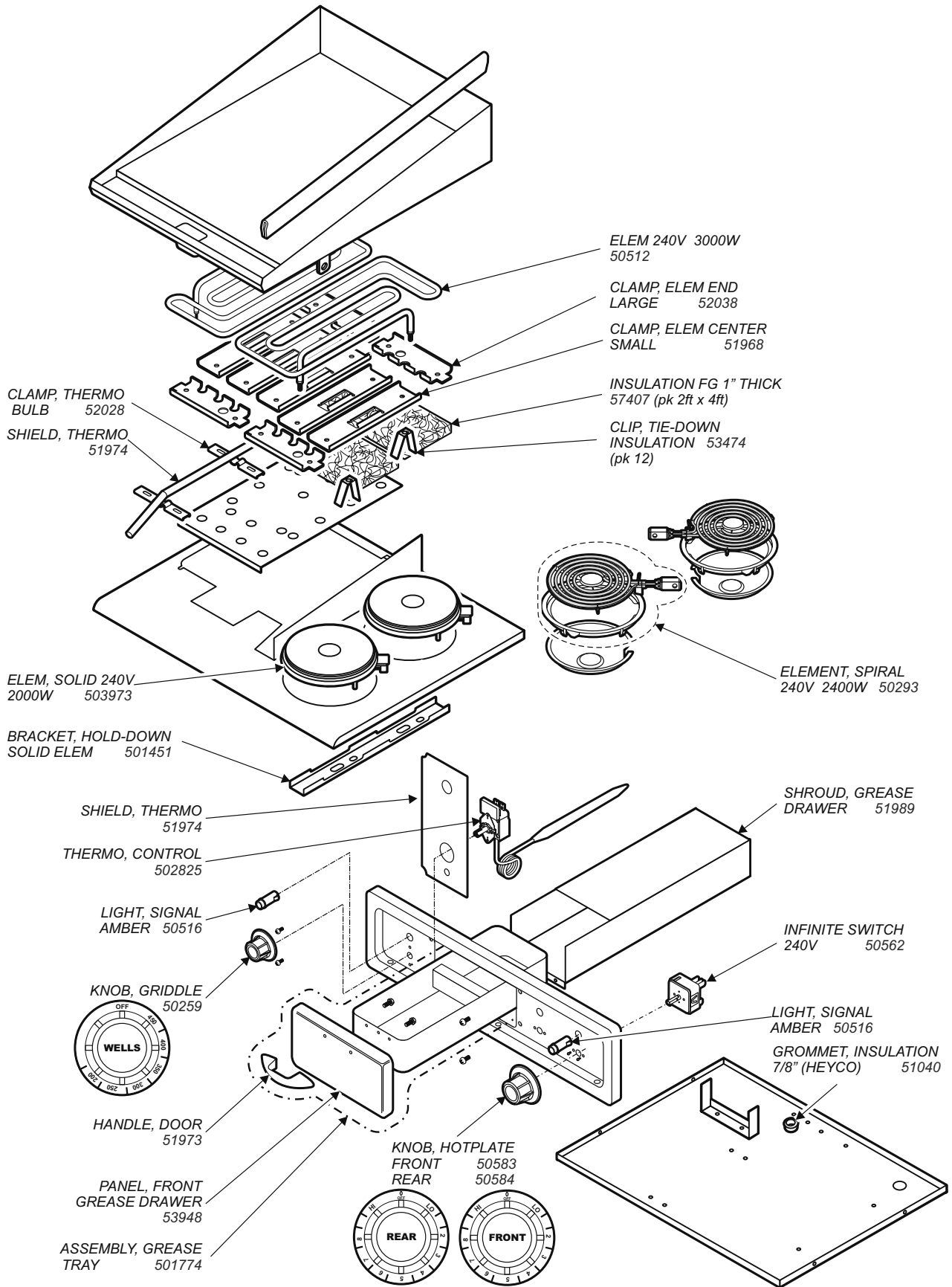
PL508 Service Parts List for WV-2HG Ventless Hopplate/Griddle

WV-2HG HOOD ELECTRICAL COMPONENTS



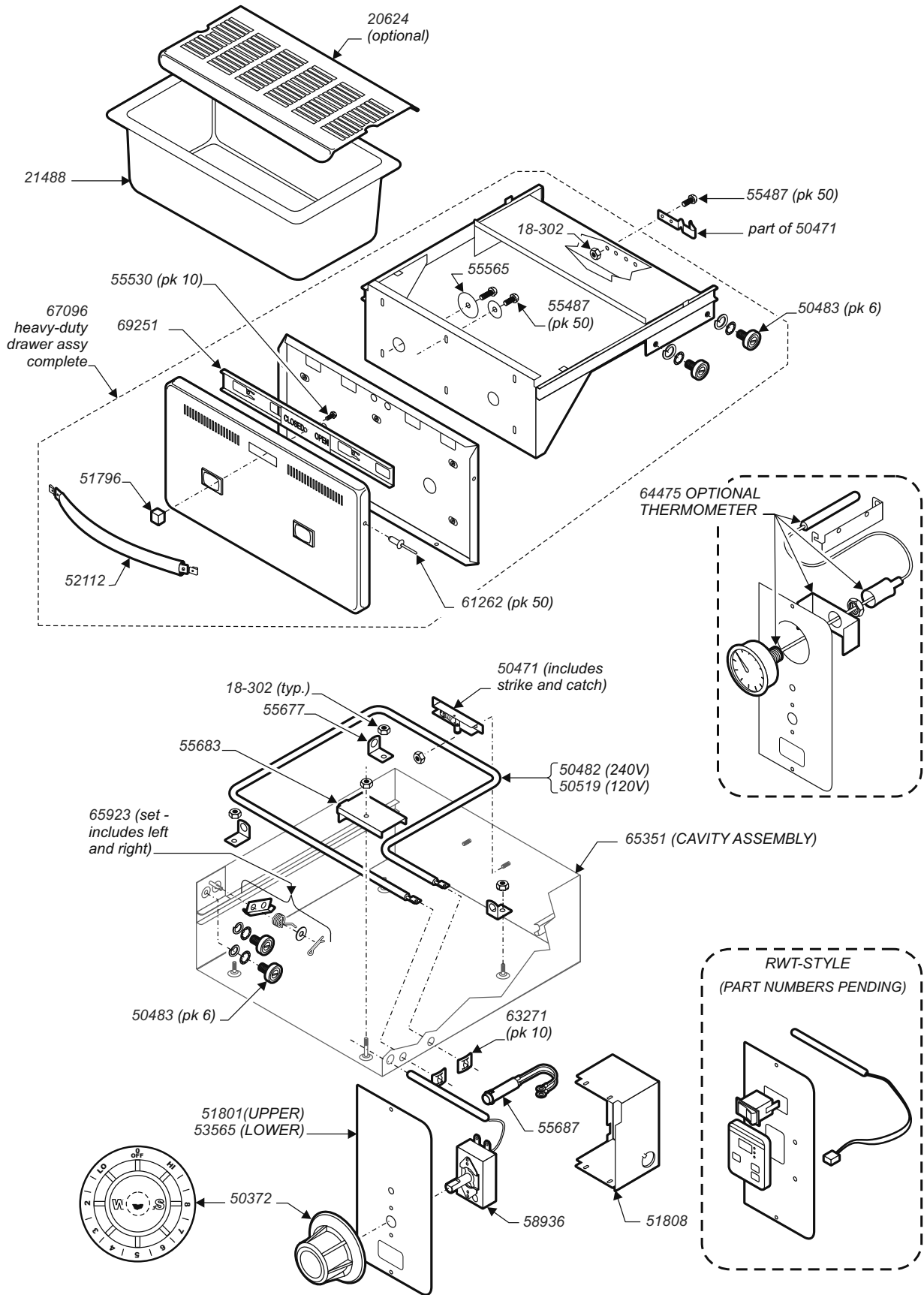
PL508 Service Parts List for WV-2HG Ventless Hooplate/Griddle

WV-2HG COOKTOP COMPONENTS



PL508 Service Parts List for WV-2HG Ventless Hopplate/Griddle

WV-2HG DRAWER WARMER COMPONENTS

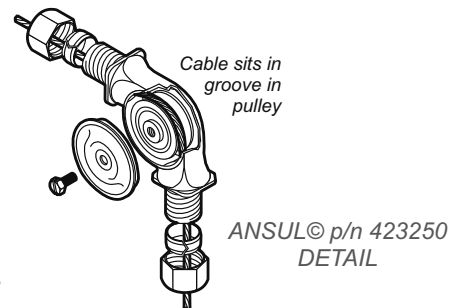
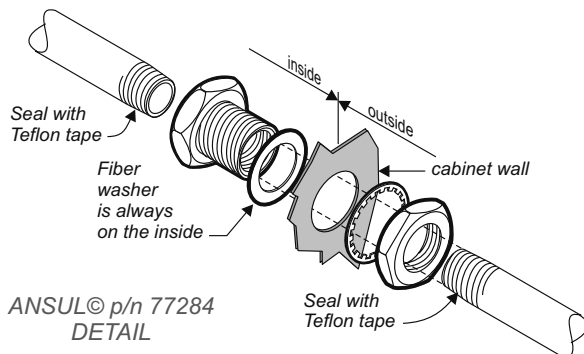
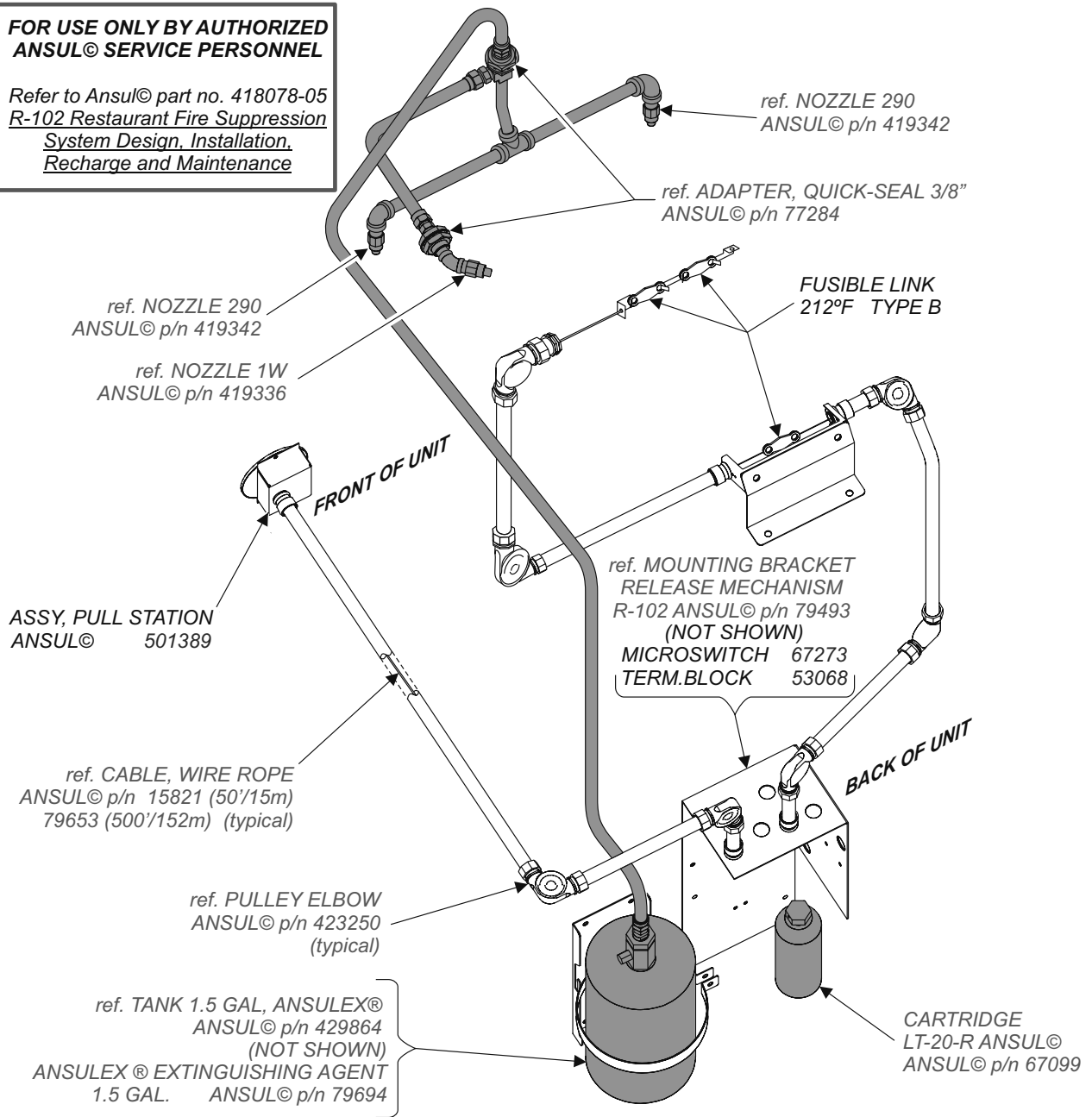


PL508 Service Parts List for WV-2HG Ventless Hotplate/Griddle

WV-2HG FIRE DETECTION AND SUPPRESSION SYSTEM COMPONENTS

**FOR USE ONLY BY AUTHORIZED
ANSUL® SERVICE PERSONNEL**

Refer to Ansul® part no. 418078-05
R-102 Restaurant Fire Suppression
System Design, Installation,
Recharge and Maintenance



NOTES



Wells Bloomfield proudly supports CFESA
Commercial Food Equipment Service Association

SERVICE TRAINING - QUALITY SERVICE



CUSTOMER SATISFACTION



WELLS BLOOMFIELD, LLC
2 ERIK CIRCLE, P. O. Box 280 Verdi, NV 89439
telephone: 775-689-5703
fax: 775-689-5976
www.wellsbloomfield.com

PRINTED IN UNITED STATES OF AMERICA