

**WELLS BLOOMFIELD, LLC**  
 2 ERIK CIRCLE, P. O. Box 280 Verdi, NV 89439  
 telephone: 775-689-5703  
 fax: 775-689-5976  
 www.wellsbloomfield.com

011a

# PARTS LIST

PL011 part A

## TOP-MOUNT HALF-SIZE WARMERS

**MODELS:**  
**HMP-6 (OLD VERSION),**  
**HMP-6 (NEW VERSION), HMP-6D,**  
**HMP-6ULD, HSW-6, HSW-6D**

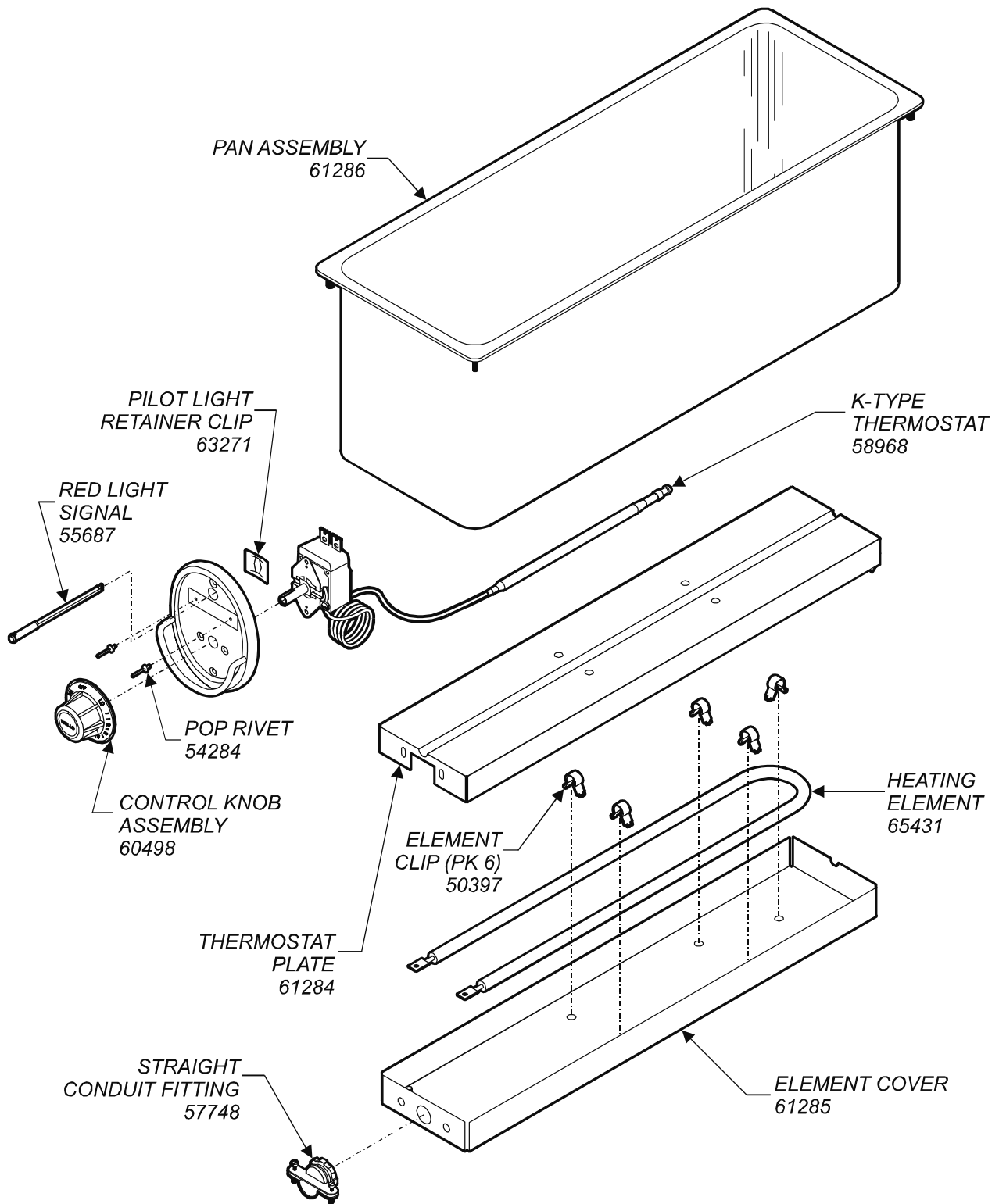
### CONTENTS

Description	page
Parts List .....	2
Models .....	3
HMP-6 (old version).....	3
HMP-6 (new version).....	4
HMP-6D.....	5
HMP-6ULD.....	6
HSW-6.....	7
HSW-6D.....	8

PRINTED IN UNITED STATES OF AMERICA

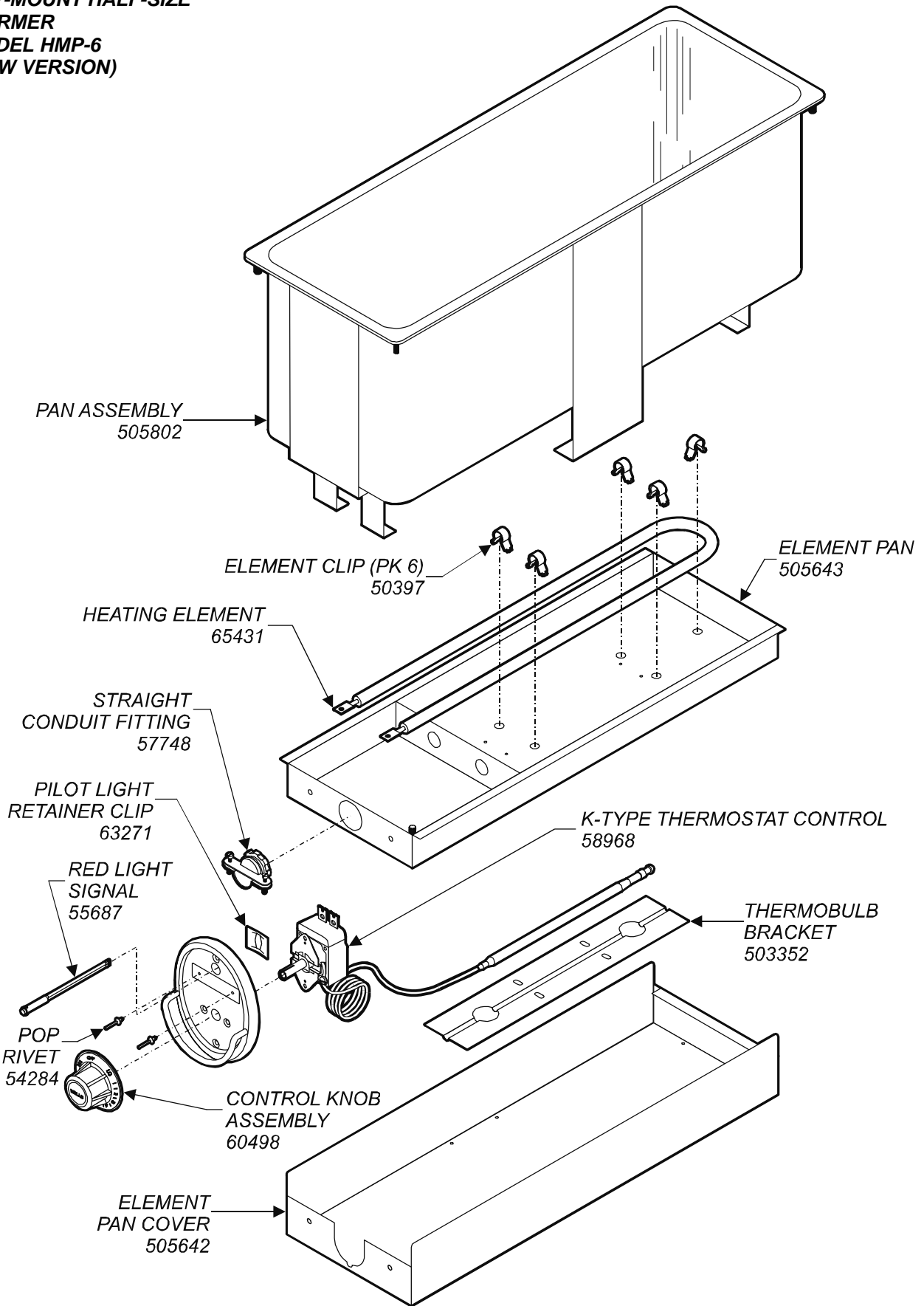


**TOP-MOUNT HALF-SIZE  
WARMER  
MODEL HMP-6  
(OLD VERSION)**



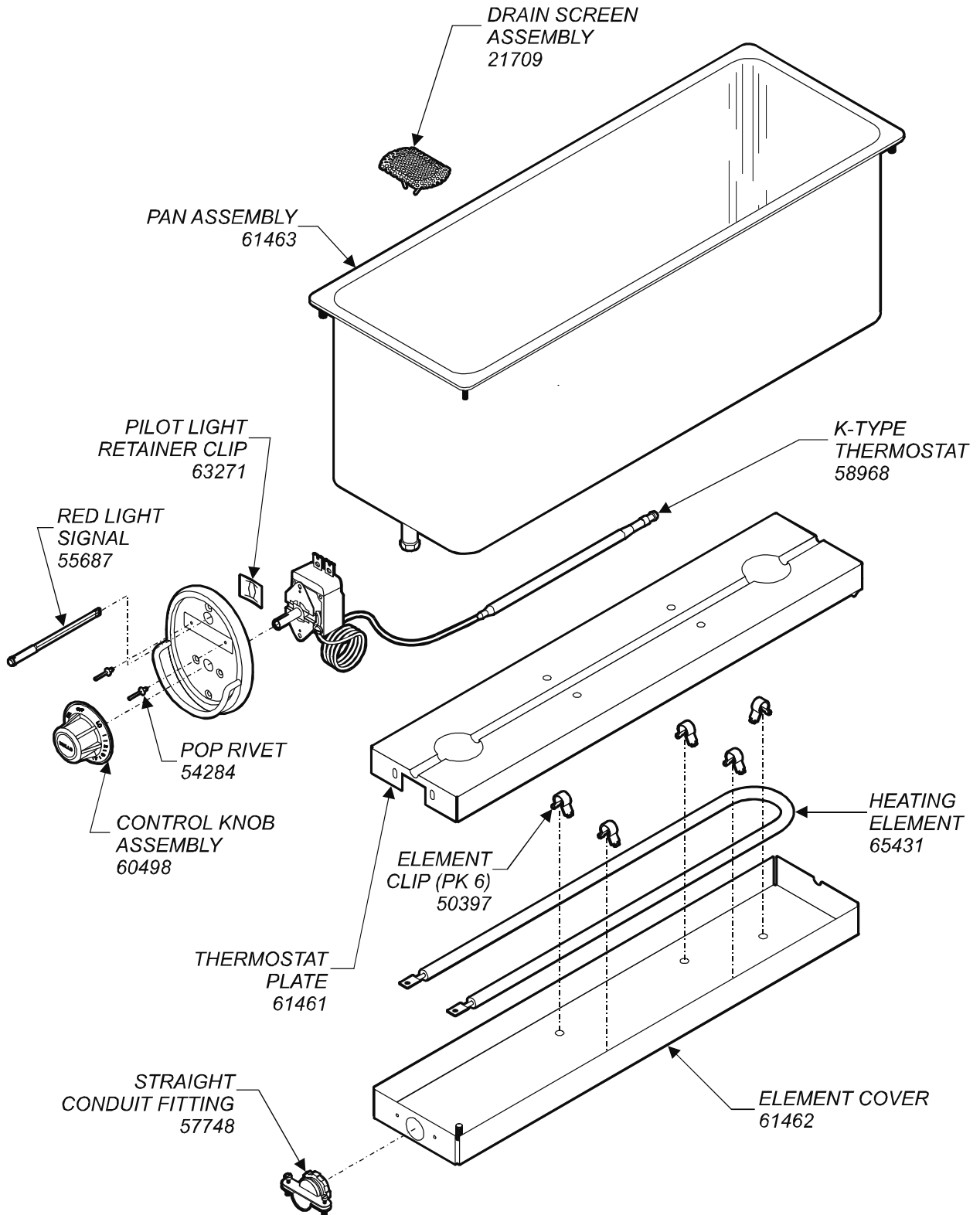
PL011a Service Parts List - Built-In Half-Size Warmers

**TOP-MOUNT HALF-SIZE  
WARMER  
MODEL HMP-6  
(NEW VERSION)**



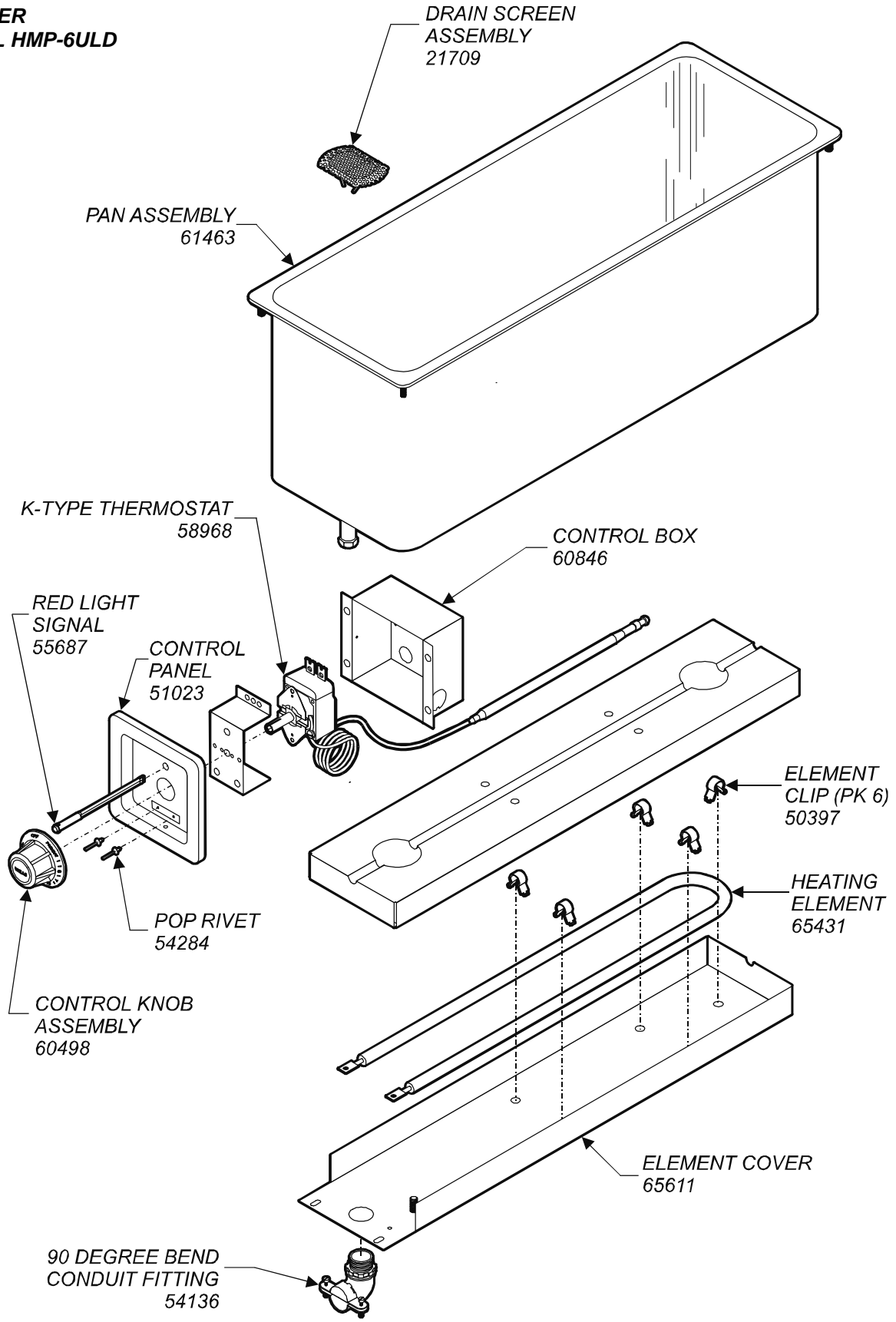
PL011a Service Parts List - Built-In Half-Size Warmers

**TOP-MOUNT HALF-SIZE  
WARMER  
MODEL HMP-6D**



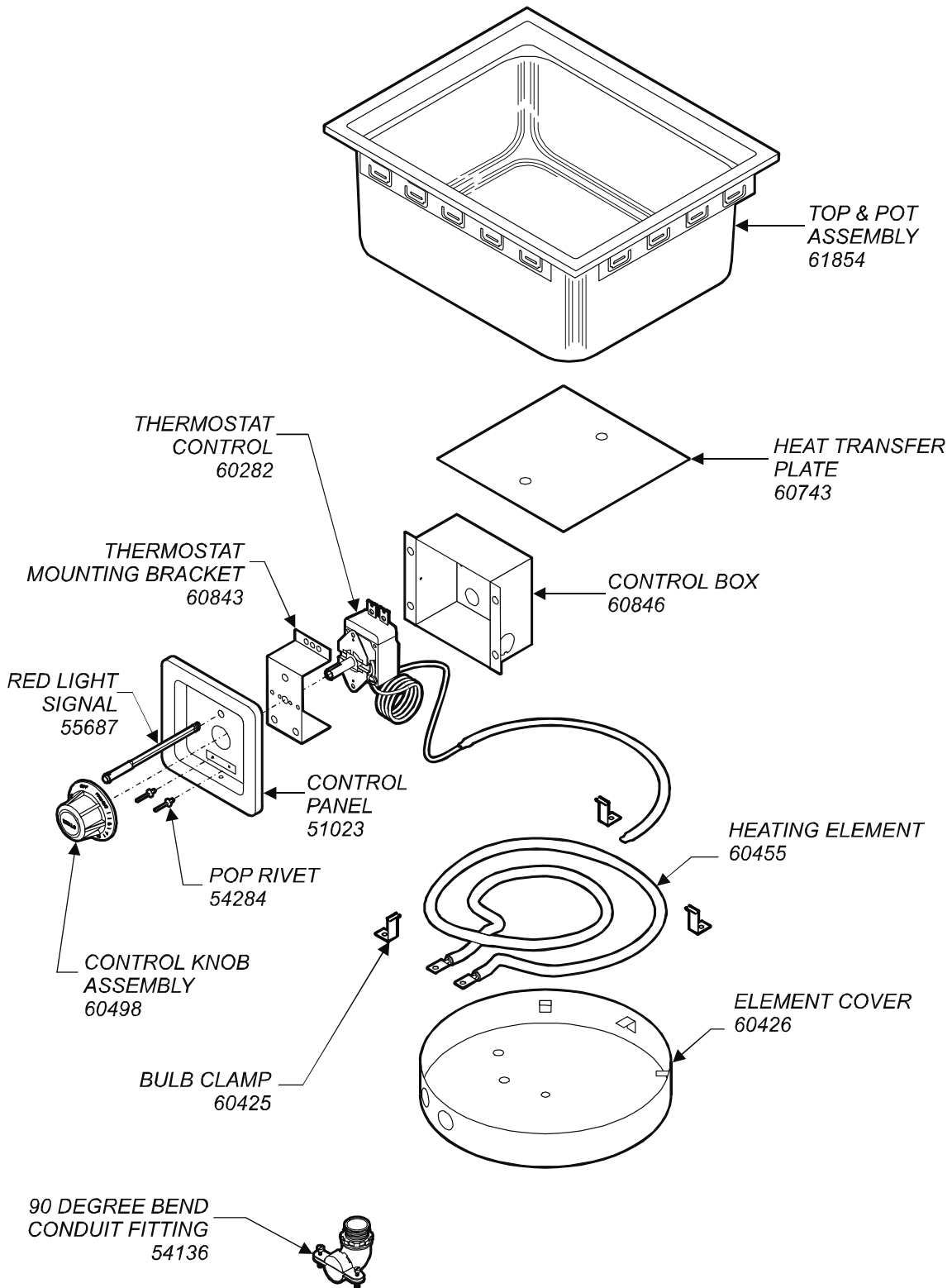
PL011a Service Parts List - Built-In Half-Size Warmers

**TOP-MOUNT HALF-SIZE  
WARMER  
MODEL HMP-6ULD**



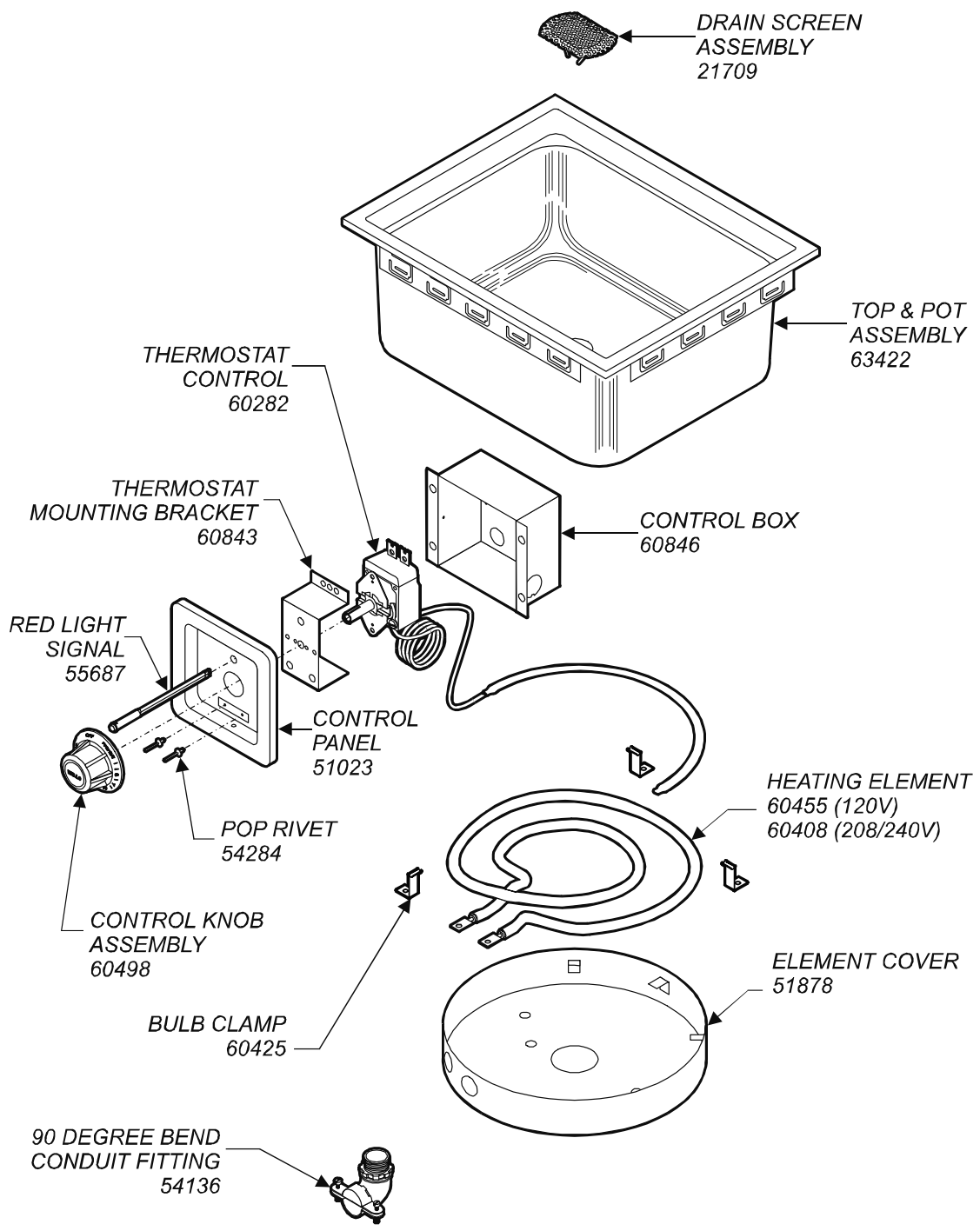
PL011a Service Parts List - Built-In Half-Size Warmers

**TOP-MOUNT HALF-SIZE  
WARMER  
MODEL HSW-6**



PL011a Service Parts List - Built-In Half-Size Warmers

**TOP-MOUNT HALF-SIZE  
WARMER  
MODEL HSW-6D**



PL011a Service Parts List - Built-In Half-Size Warmers



NOTES



Wells Bloomfield proudly supports CFESA  
Commercial Food Equipment Service Association

**SERVICE TRAINING - QUALITY SERVICE**



**CUSTOMER SATISFACTION**



**WELLS BLOOMFIELD, LLC**  
2 ERIK CIRCLE, P. O. Box 280 Verdi, NV 89439  
telephone: 775-689-5703  
fax: 775-689-5976  
[www.wellsbloomfield.com](http://www.wellsbloomfield.com)

PRINTED IN UNITED STATES OF AMERICA