

# Commodore Thermalizer

## Parts Identification Manual



For service information call 1-800-234-5286

# Commodore Thermalizer

## Table of Contents

Photo Reference .....	3-6
Parts Descriptions & Order numbers .....	7-8

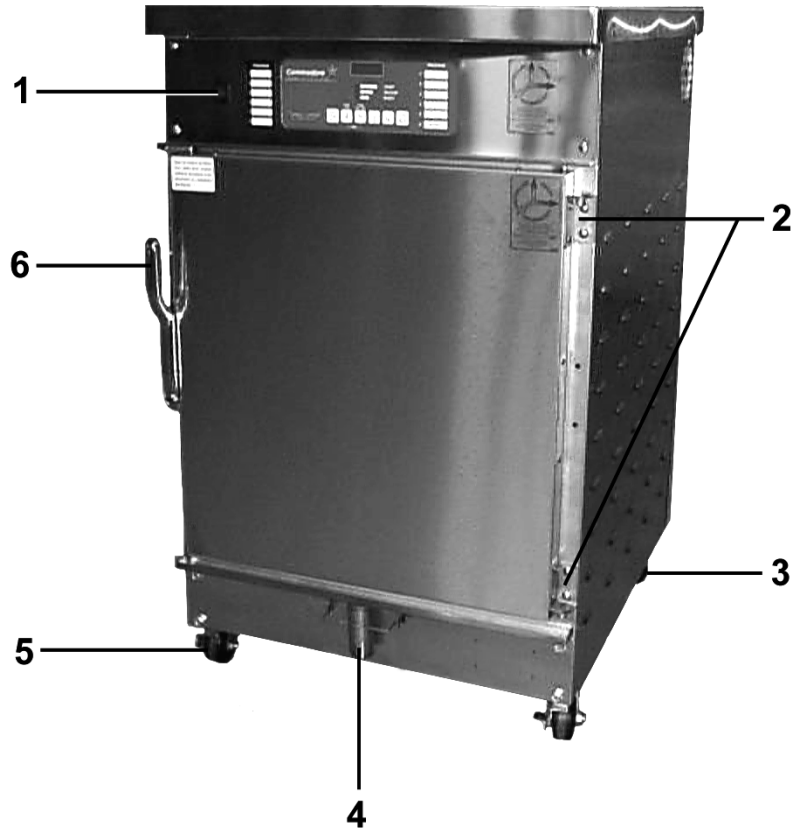
### How to Use This Manual

Use photo reference (pages 3-6) to identify parts. Match photo reference numbers with parts descriptions and order numbers (pages 7-8).

# Commodore Thermalizer

## Parts Identification

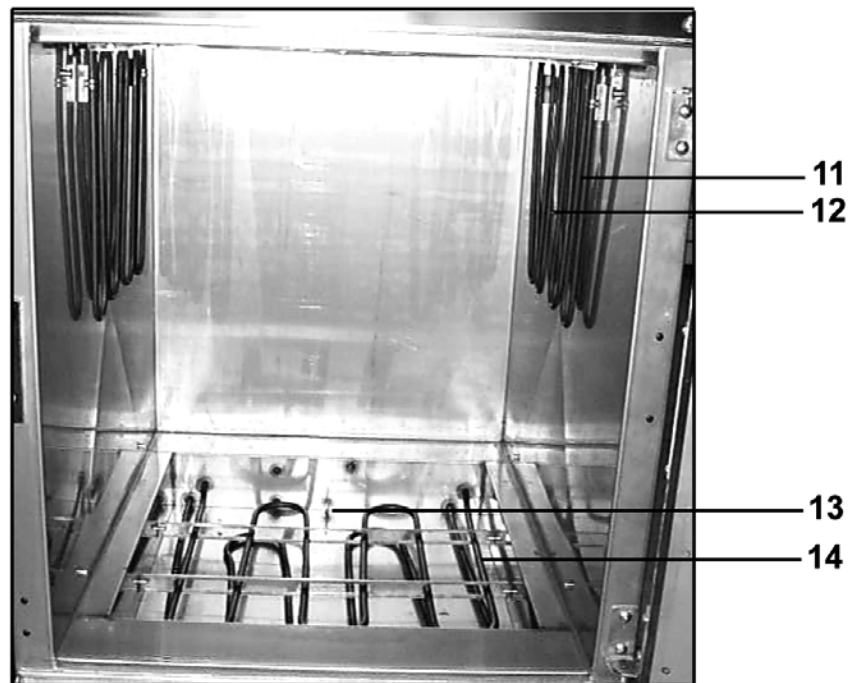
Note: See pages 7-8 for descriptions and order numbers.



# Commodore Thermalizer

## Parts Identification

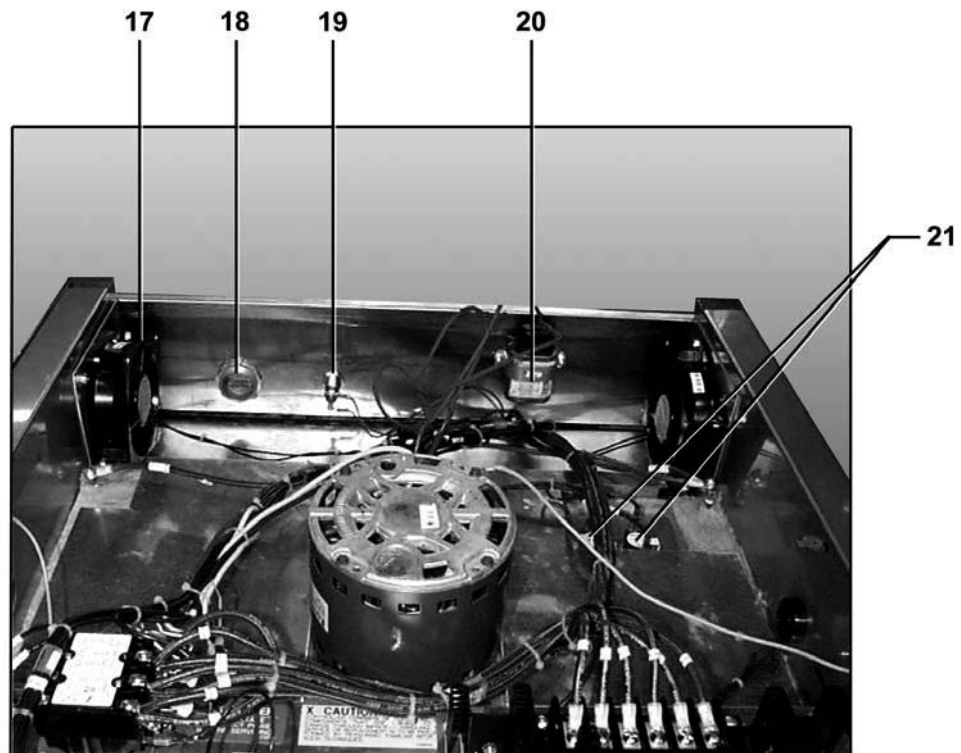
Note: See pages 7-8 for descriptions and order numbers.



# Commodore Thermalizer

## Parts Identification

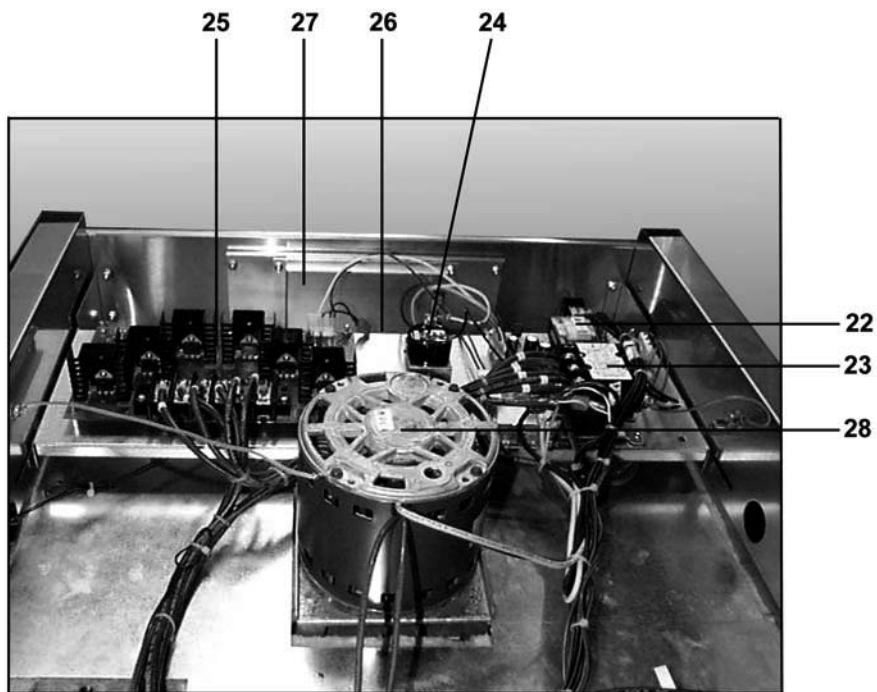
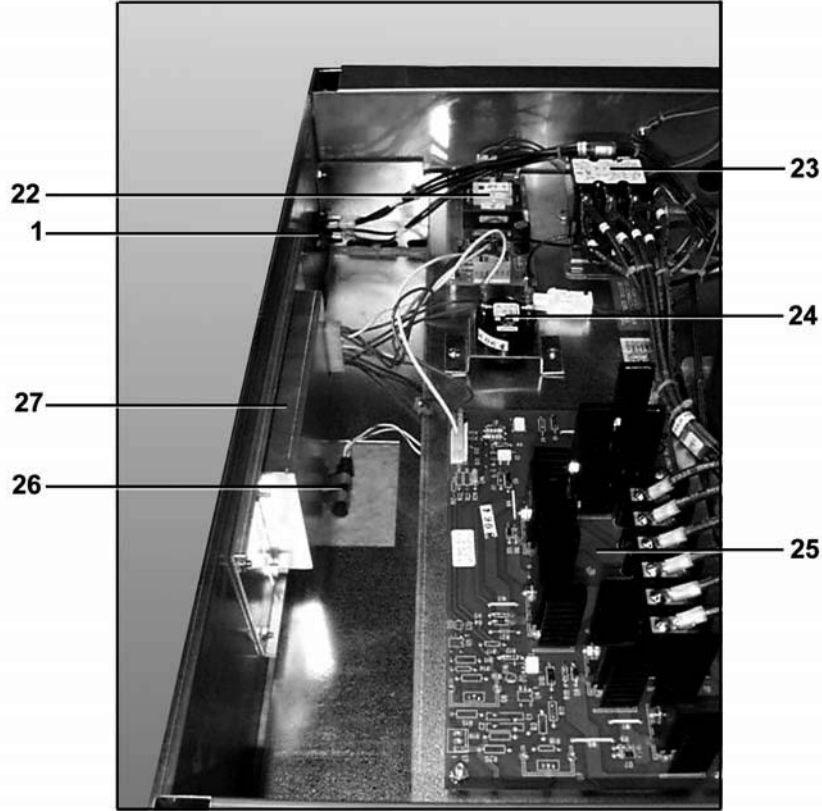
Note: See pages 7-8 for descriptions and order numbers.



# Commodore Thermalizer

## Parts Identification

Note: See pages 7-8 for descriptions and order numbers.



# Commodore Thermalizer

## Parts Identification

Photo Reference Number	Part Description	Order Number
1	Power Switch Rocker Type Toggle Type	PS2304 PS1529
2	Hinge Kit	PS2116
3	Non-locking Caster	PS2147
4	Drip Cup & Retainer	PS2182
5	Locking Caster	PS2146
6	Handle	PS1774
7	Door Gasket	PS2150
8	Flue	<i>REF. ONLY</i>
9	Removable Shelf	PS2305
10	Evaporator Cover	PS2365
11	Air Heater	PS2368
12	Air Probe	PS2178
13	Water Probe	PS2177
14	Water Heater Top Element Bottom Element	PS2367 PS2366
15	Circulating Fan Wheel (Hidden)	PS2371
16	Circulating Fan Cover	PS2370

<b>17</b>	<b>Cooling Fan</b>	<b>PS2098</b>
<b>18</b>	<b>Power Cord Strain Relief</b>	<b><i>REF. ONLY</i></b>
<b>19</b>	<b>Program Lock Key Switch</b>	<b><i>REF. ONLY</i></b>
<b>20</b>	<b>Circulation Fan Motor Starting Capacitor</b>	<b><i>REF. ONLY</i></b>
<b>21</b>	<b>High Limit Thermostat</b>	<b>PS2369</b>
<b>22</b>	<b>Transformer Board</b>	<b>PS2172</b>
<b>23</b>	<b>Contactor (Magnetic)</b>	<b>PS1007</b>
<b>24</b>	<b>Buzzer Assembly</b>	<b>PS1589</b>
<b>25</b>	<b>Power Board</b>	<b>PS2354</b>
<b>26</b>	<b>Door Switch</b>	<b>PS2372</b>
<b>27</b>	<b>Control Board</b>	<b>PS2203</b>
<b>28</b>	<b>Circulating Fan Motor</b>	<b>PS2119</b>