

WINSTON CVAP STEAMER MODEL



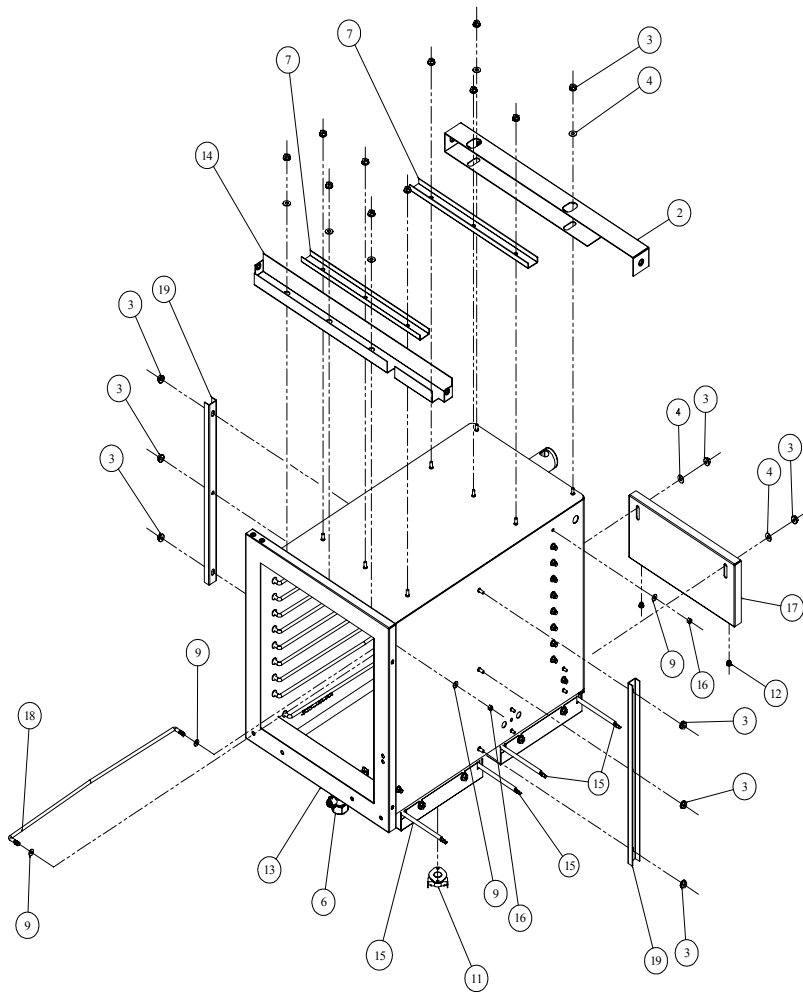
Steamer Series

Parts Identification Manual



Model SAH0P3

WINSTON CVAP STEAMER MODEL

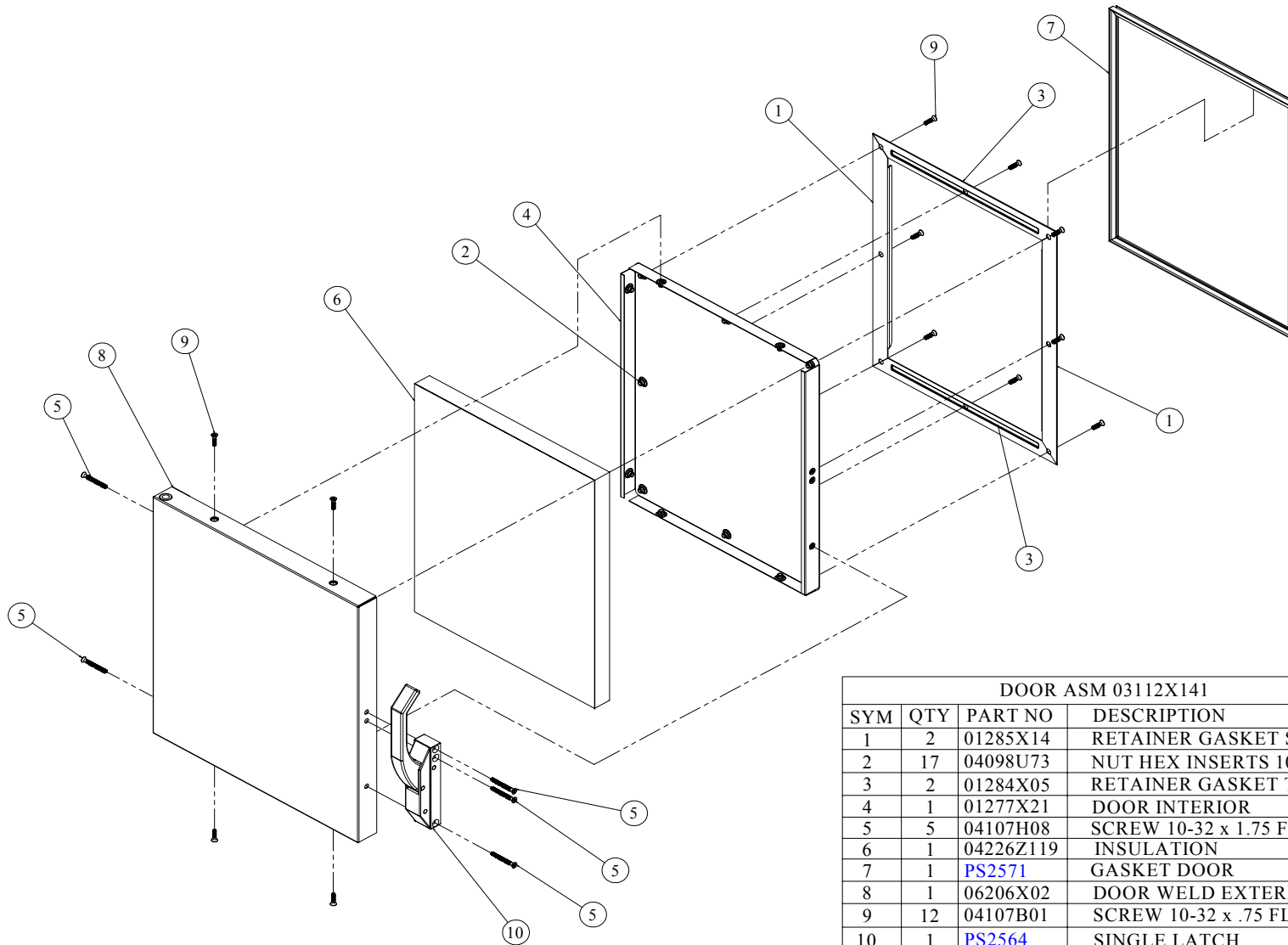


CAB ASM 02333X195 (SAH0P5 shown)			
SYM	QTY	PART NO	DESCRIPTION
1	2	06190X01	PLATE HEATER (SEE HEATER ASM)
2	1	05826Y02	SUPPORT EXT TOP REAR
3	47	04098K27	NUT FLANGE LOCK 1/4-20
4	15	04023Y32	WASHER AL
5	2	06221X01	INSULATION HEATER (SEE HEATER ASM)
6	1	PS2565	VALVE BALL 3/4" SS
7	2	05853V01	SUPPORT BRKT TOP INT
8	2	04098U73	NUT HEX INSERT 10-32 MONEL
9	80	05605V02	WASHER RAIL
10	6	06183X02	BRACE HEATER RETAINER (SEE HEATER ASM)
11	1	PS2760	THERMOSTAT 325F
12	2	04098S72	NUT HEX INSERT 10-32 ZINC
13	1	05926Z04	CAVITY STMR STUD WELD SAH0P5
14	1	06007Y03	SUPPORT TOP EXT
15	2	PS2800	HEATER 208V 3100W 5 PAN
	2	PS2569	HEATER 208V 2400W 3 PAN
	2	PS2728	HEATER 240V 3100W 5 PAN
	2	PS2751	HEATER 240V 2400W 3 PAN
	2	PS2788	HEATER 208V 3 PHASE 5 PAN
16	40	04098N53	NUT NYLON INSERT 10-32 ZINC
17	1	05828V01	BRACKET REAR SUPPORT
18	20	05610Z03	RAIL STEAMER 5
19	2	00534Y03	CHANNEL SUPPORT

Winston Industries, LLC - 2345 Carton Dr. - Louisville - Kentucky - 40299

www.cvap.com 1-800-234-5286 502-495-5400 FAX 502-495-5458 www.winstonindustries.com

WINSTON CVAP STEAMER MODEL

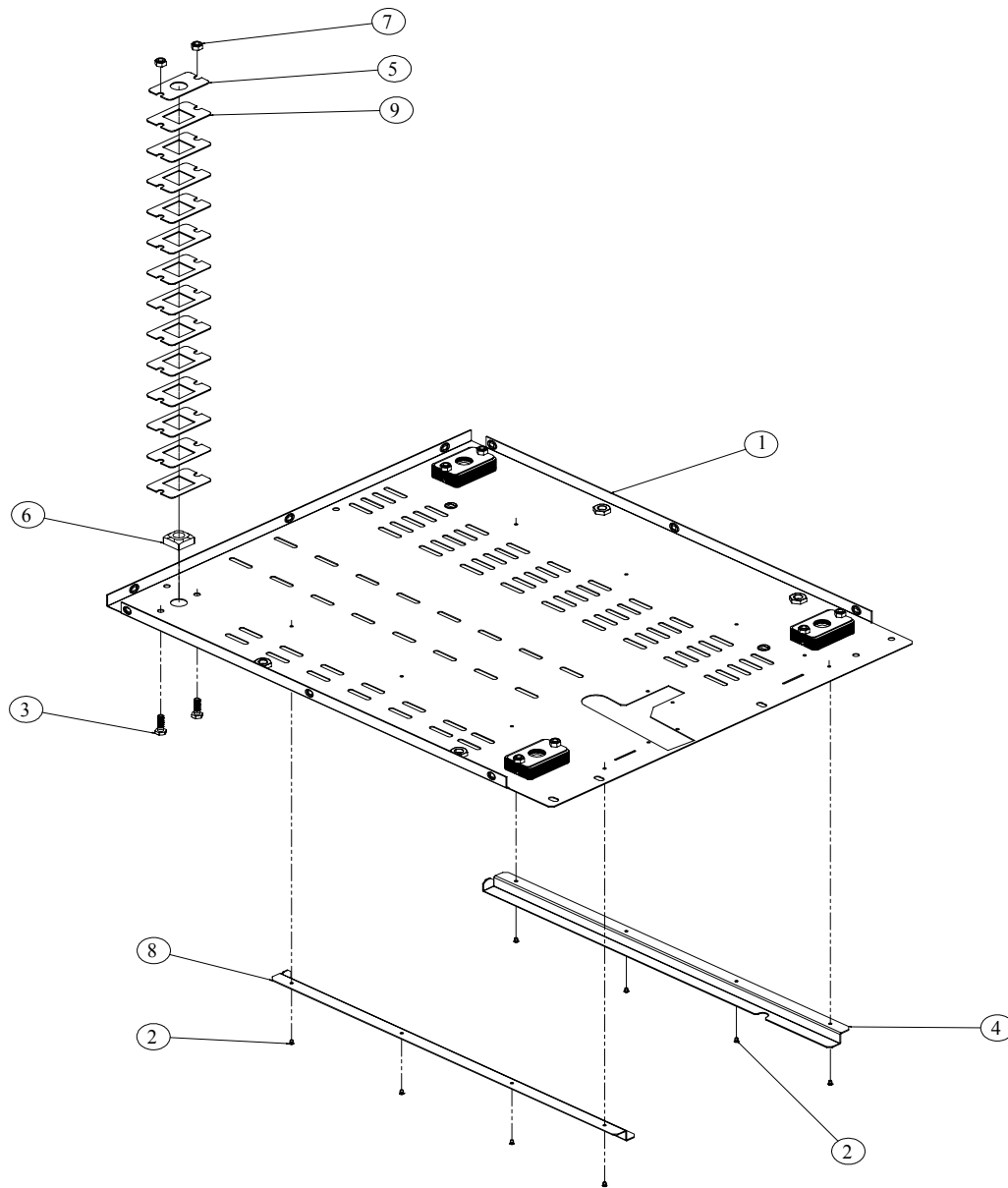


DOOR ASM 03112X141			
SYM	QTY	PART NO	DESCRIPTION
1	2	01285X14	RETAINER GASKET SIDES
2	17	04098U73	NUT HEX INSERTS 10-32
3	2	01284X05	RETAINER GASKET TOP/BOTTOM
4	1	01277X21	DOOR INTERIOR
5	5	04107H08	SCREW 10-32 x 1.75 FLAT HD PH
6	1	04226Z119	INSULATION
7	1	PS2571	GASKET DOOR
8	1	06206X02	DOOR WELD EXTERIOR
9	12	04107B01	SCREW 10-32 x .75 FLAT HD PH
10	1	PS2564	SINGLE LATCH

Winston Industries, LLC - 2345 Carton Dr. - Louisville - Kentucky - 40299

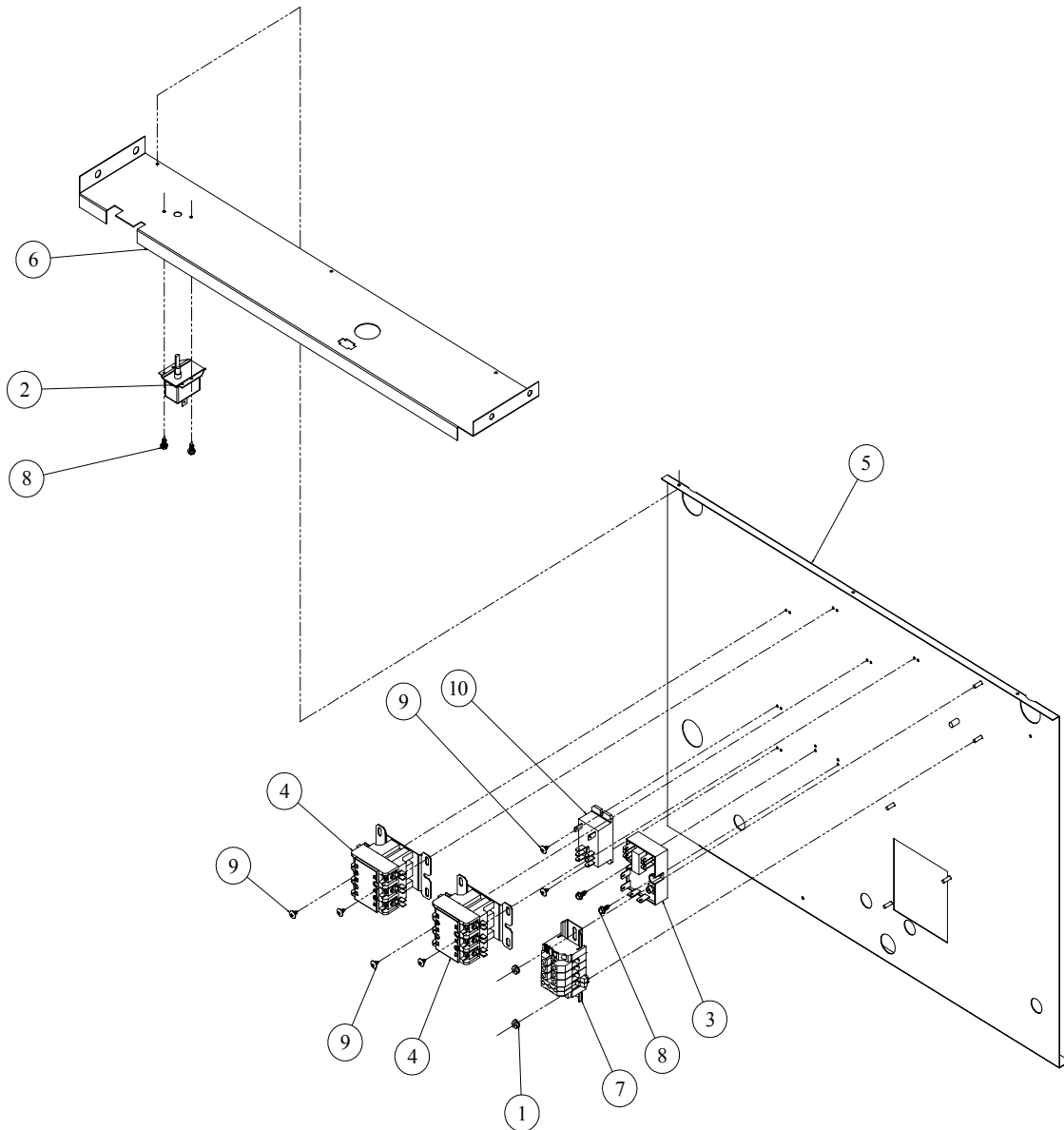
www.cvap.com 1-800-234-5286 502-495-5400 FAX 502-495-5458 www.winstonindustries.com

WINSTON CVAP STEAMER MODEL



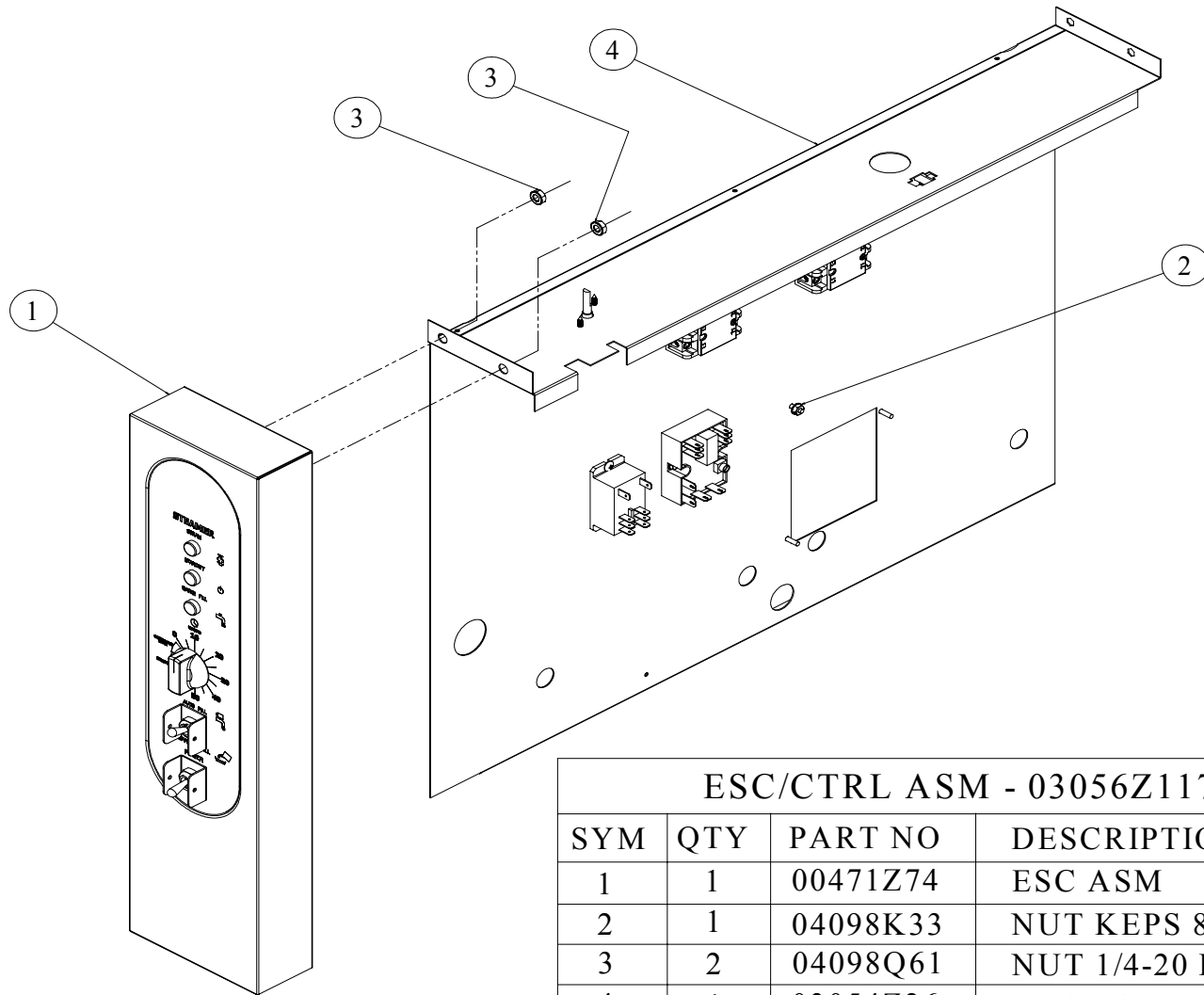
BOTTOM ASM - 01960Y18			
SYM	QTY	PART NO	DESCRIPTION
1	1	05622Y04	BOTTOM
2	8	04106M03	RIVET POP
3	8	04107Q79	SCREW 1/4-20 x 1.000
4	1	05766V02	DRAIN PAN SIDE RH
5	4	06100X05	NUT SQUARE 5/8-11
6	4	PS2364	PLATE NUT HOLDER
7	8	04098N54	NUT NYLON INSERT 1/4-20
8	1	05766V01	DRAIN PAN SIDE LH
9	52	06100X04	PLATE LOCK NUT

WINSTON CVAP STEAMER MODEL



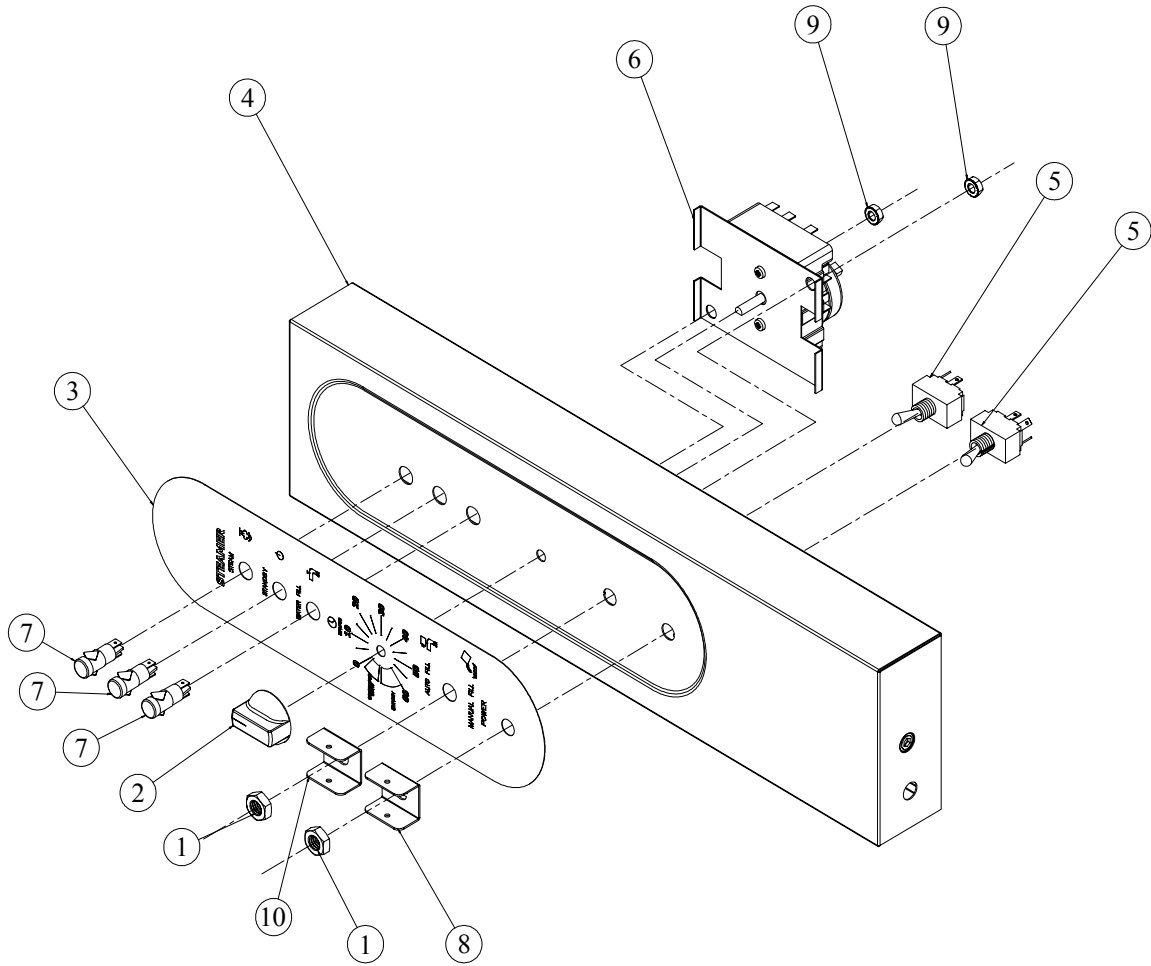
HEATER SHIELD ASM - 03054Z26			
SYM	QTY	PART NO	DESCRIPTION
1	2	04098K33	NUT KEPS 8-32
2	1	PS1105	BUZZER 240V 50/60HZ
3	1	PS2831	RELAY ASM TIME DELAY
4	2	PS1007	RELAY 208/240V
5	1	05609Z16	HEAT SHIELD
6	1	05609U01	STRIP RETAINER BUZZER
7	1	PS2757	TERNMINAL BL ASM
8	4	04107K20	SCREW 8x.500 HEX HD PH
9	6	04107Y127	SCREW 8-18 x .500 SELF TAPING
10	1	PS2756	RELAY DPDT 30A 240V FLANGE MOUNT

WINSTON CVAP STEAMER MODEL



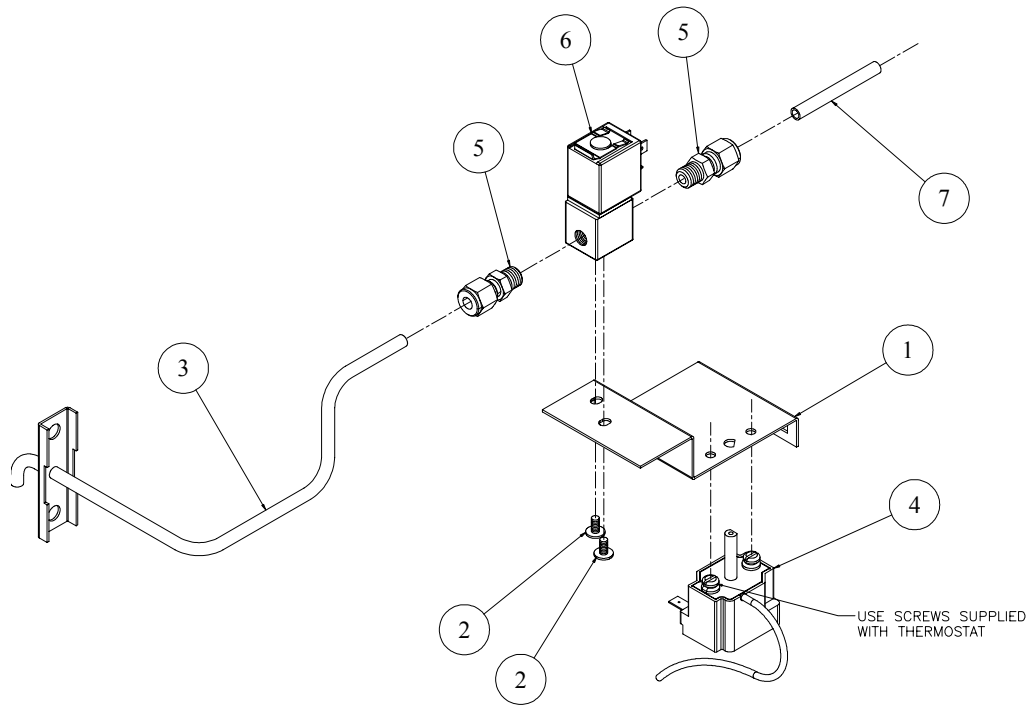
ESC/CTRL ASM - 03056Z117			
SYM	QTY	PART NO	DESCRIPTION
1	1	00471Z74	ESC ASM
2	1	04098K33	NUT KEPS 8-32
3	2	04098Q61	NUT 1/4-20 KEPS
4	1	03054Z26	HEAT SHIELD ASM

WINSTON CVAP STEAMER MODEL



ESC ASM 00471Z74			
SYM	QTY	PART NO	DESCRIPTION
1	2		NUT SUPPLIED WITH TOGGLE SWITCH
2	1	PS2759	KNOB
3	1	05939Z02	GUIDE OPERATOR
4	1	05937Z04	WELD STUD ESC
5	2	PS2304	SWITCH TOGGLE
6	1	PS2563	TIMER ASM ANALOG
7	3	PS2298-3	LAMP NEON RED 250V
8	1	part of #5	SWITCH GUARD
9	2	04098Q61	NUT 1/4-20 KEPS
10	1	part of # 5	SWITCH GUARD

WINSTON CVAP STEAMER MODEL



SOLENOID VALVE ASM (PS2754)			
SYM	QTY	PART NO	DESCRIPTION
1	1	01116Z24	BRKT MOUNT SOLENOID T-STAT
2	2	04107K52	SCREW 8-32 x .313 TR HD PH
3	1	06316Y03	WELD INLET WATER FILL
4	1	PS2598	THERMOSTAT 140-221 F
5	2	PS1781	FITTING 1/4 x 1/8 MALE NPT
6	1	PS2754	SOLENOID VALVE 240V 60 HZ
7	1	04050Y13	TUBING COPPER