

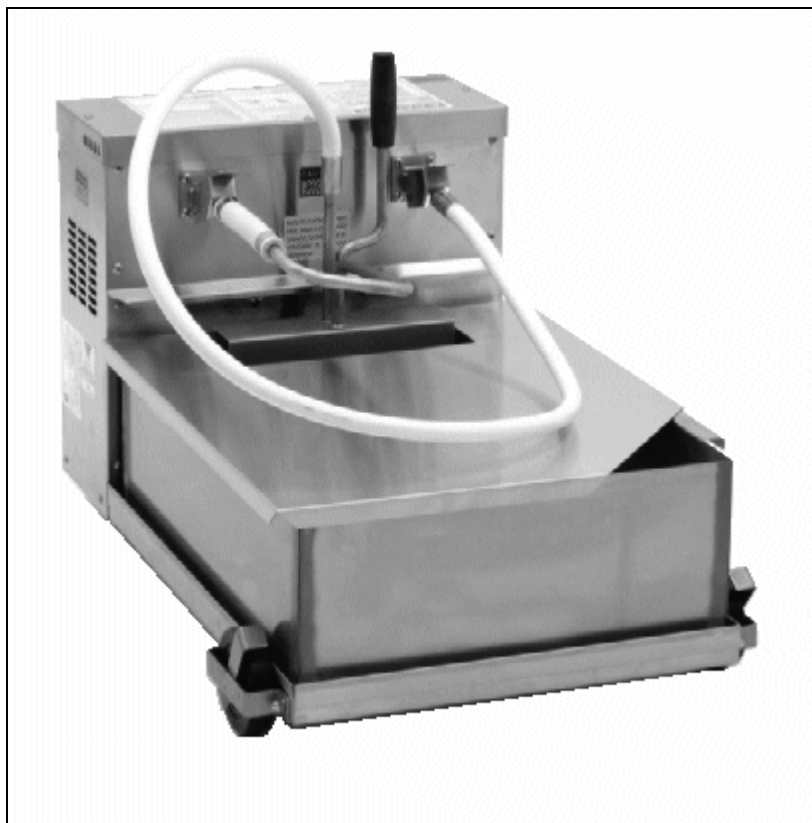
WINSTON CVAP MODEL F552 & F662 SHORTENING FILTER



F662A

Shortening Filter

Parts Identification Manual



F662A9 SHOWN

Table of Contents

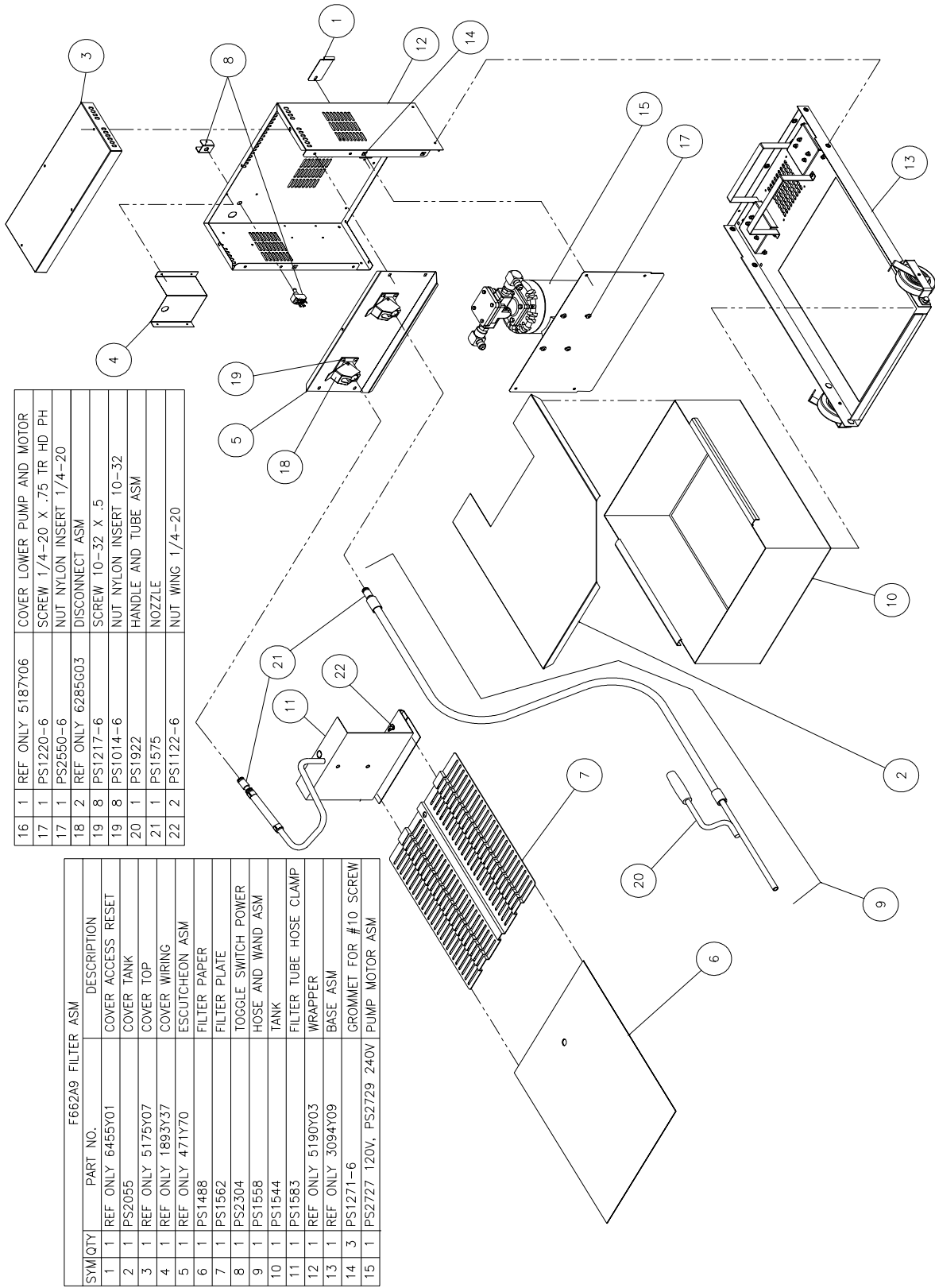
Main Assembly.....page 3
Model F662 Shown

Base Assembly – F662.....page 4

Base Assembly – F552.....page 5

Schematic.....page 6

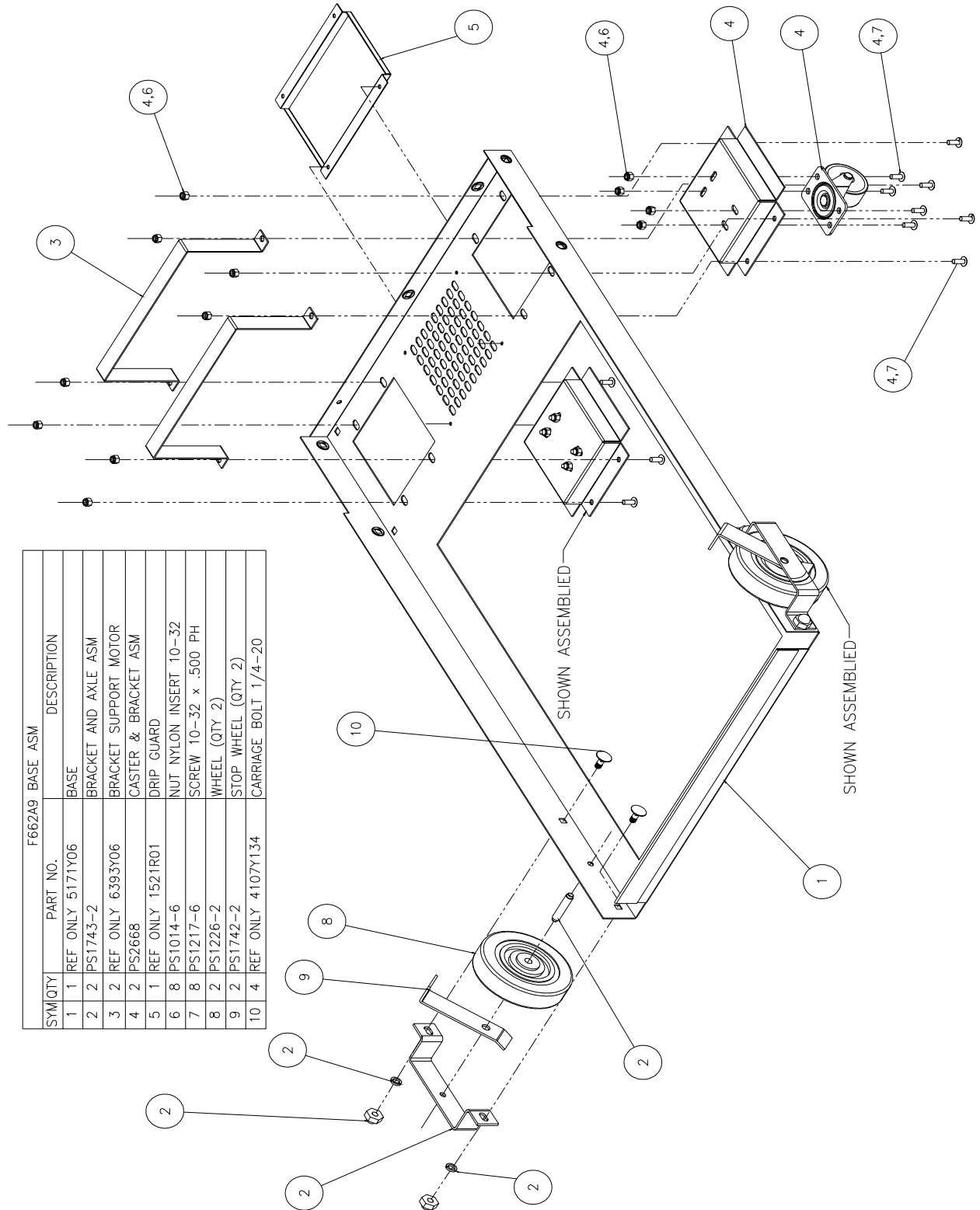
WINSTON CVAP MODEL F552 & F662 SHORTENING FILTER



16	1	REF ONLY 5187Y06	COVER LOWER PUMP AND MOTOR
17	1	PS1220-6	SCREW 1/4-20 X .75 TR HD PH
17	1	PS2550-6	NUT NYLON INSERT 1/4-20
18	2	REF ONLY 6285603	DISCONNECT ASM
19	8	PS1217-6	SCREW 10-32 X .5
19	8	PS1014-6	NUT NYLON INSERT 10-32
20	1	PS1922	HANDLE AND TUBE ASM
21	1	PS1575	NOZZLE
22	2	PS1122-6	NUT WING 1/4-20

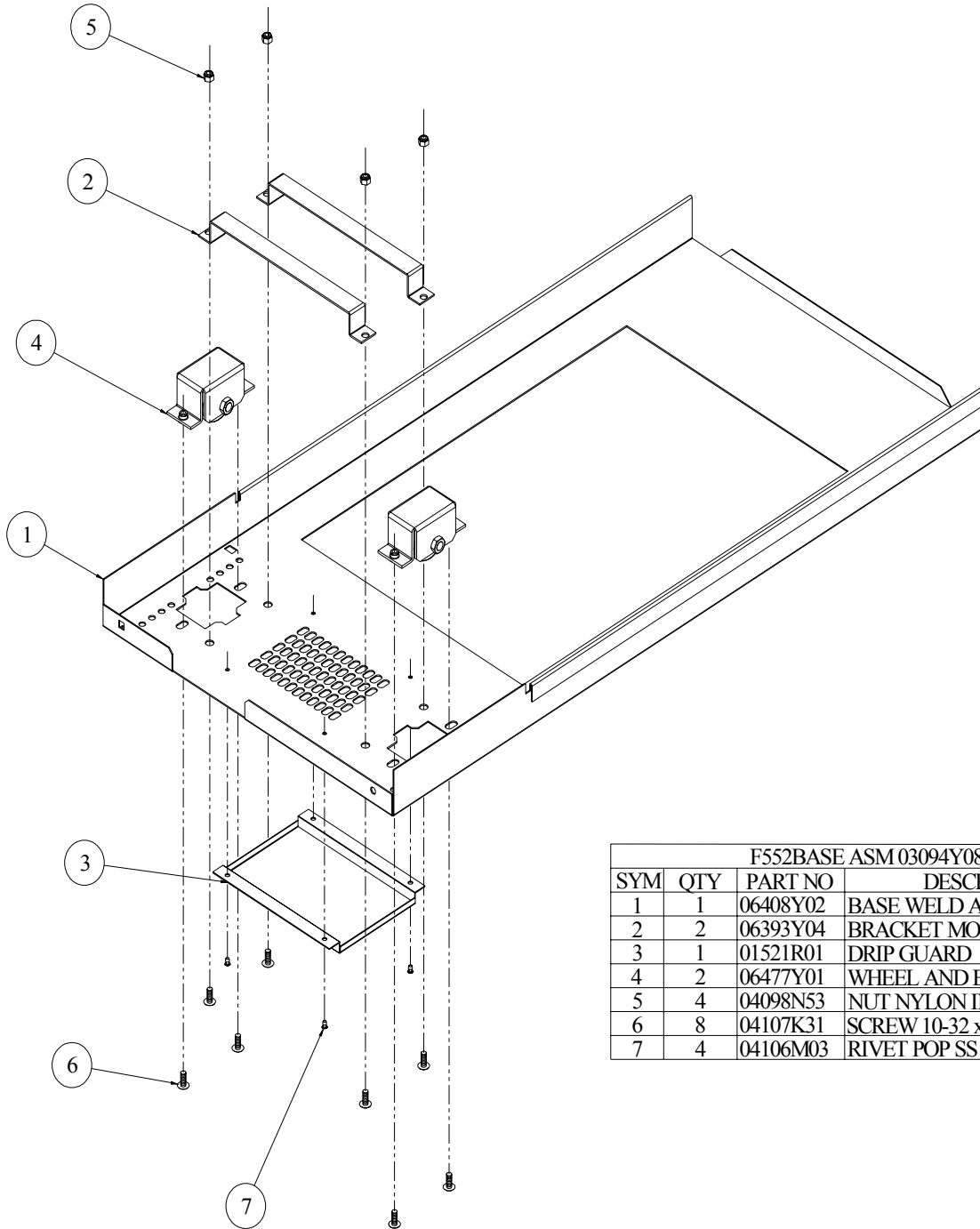
F662A9 FILTER ASM			
SYM	QTY	PART NO.	DESCRIPTION
1	1	REF ONLY 6455Y01	COVER ACCESS RESET
2	1	PS2055	COVER TANK
3	1	REF ONLY 5175Y07	COVER TOP
4	1	REF ONLY 1893Y37	COVER WIRING
5	1	REF ONLY 471Y70	ESCUTCHEON ASM
6	1	PS1488	FILTER PAPER
7	1	PS1562	FILTER PLATE
8	1	PS2304	TOGGLE SWITCH POWER
9	1	PS1558	HOSE AND WAND ASM
10	1	PS1544	TANK
11	1	PS1583	FILTER TUBE HOSE CLAMP
12	1	REF ONLY 5190Y03	WRAPPER
13	1	REF ONLY 3094Y09	BASE ASM
14	3	PS1271-6	GROMMET FOR #10 SCREW
15	1	PS2727 120V, PS2729 240V	PUMP MOTOR ASM

WINSTON CVAP MODEL F552 & F662 SHORTENING FILTER



F662A9 BASE ASM		
SYM/	QTY	PART NO. DESCRIPTION
1	1	REF ONLY 5171Y06 BASE
2	2	PS1743-2 BRACKET AND AXLE ASM
3	2	REF ONLY 6393Y06 BRACKET SUPPORT MOTOR
4	2	PS2668 CASTER & BRACKET ASM
5	1	REF ONLY 1521R01 DRIP GUARD
6	8	PS1014-6 NUT NYLON INSERT 10-32
7	8	PS1217-6 SCREW 10-32 x .500 PH
8	2	PS1226-2 WHEEL (QTY 2)
9	2	PS1742-2 STOP WHEEL (QTY 2)
10	4	REF ONLY 4107Y134 CARRIAGE BOLT 1/4-20

WINSTON CVAP MODEL F552 & F662 SHORTENING FILTER



F552BASE ASM 03094Y08			
SYM	QTY	PART NO	DESCRIPTION
1	1	06408Y02	BASE WELD ASM
2	2	06393Y04	BRACKET MOTOR
3	1	01521R01	DRIP GUARD
4	2	06477Y01	WHEEL AND BRACKET ASM
5	4	04098N53	NUT NYLON INSERT 10-32
6	8	04107K31	SCREW 10-32 x .50 TR HD PH
7	4	04106M03	RIVET POP SS .125 x .125

WINSTON CVAP MODEL F552 & F662 SHORTENING FILTER

Models F552A8 & F662A9
Shortening Filter

