



HBK, L, M, 8, 0 or 5 'D' SERIES

Parts Identification Manual



WINSTON CVAP MODEL HBK,L,M,80-5,D SERIES

TABLE OF CONTENTS

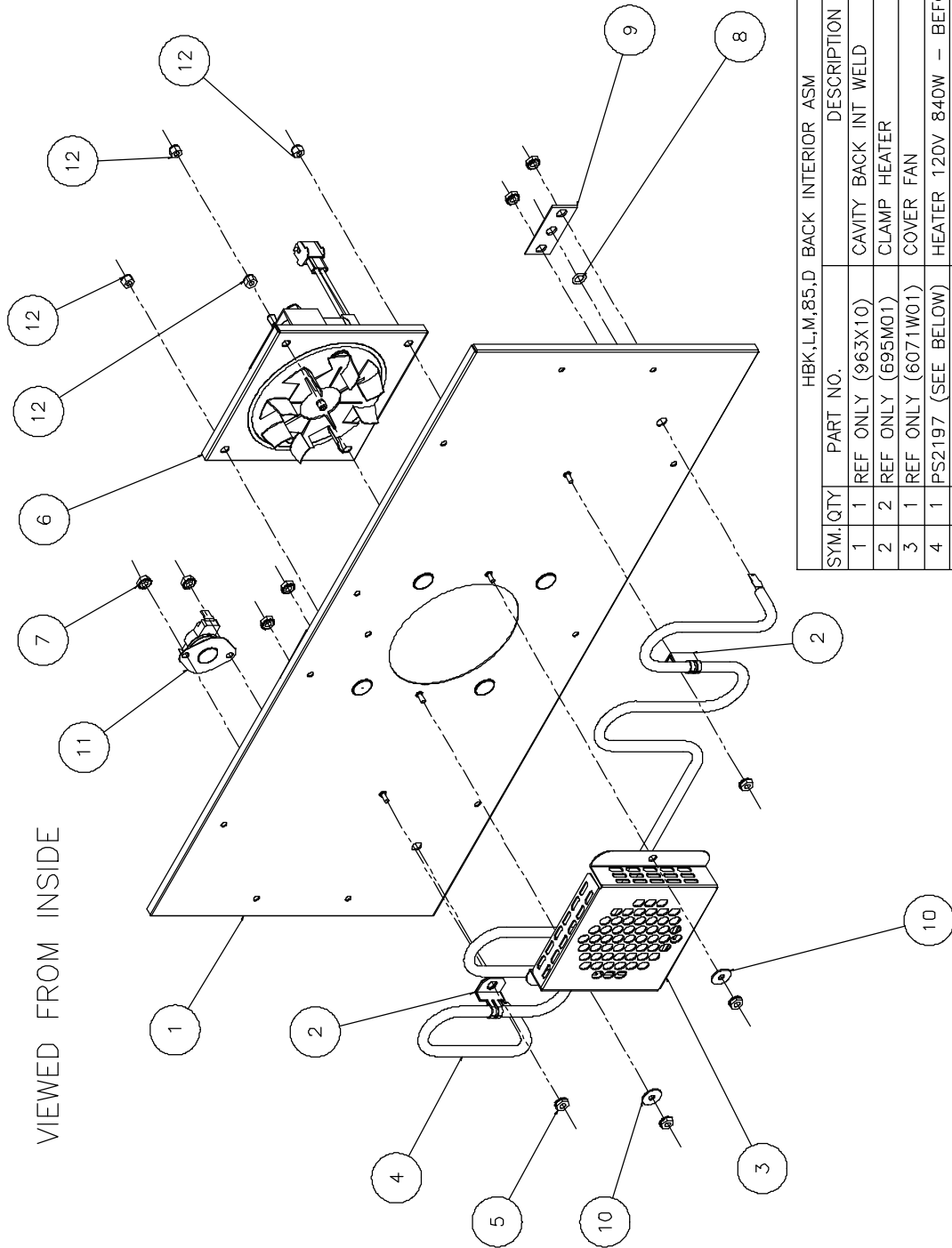
Exploded view – Back Interior Assembly	3
Exploded view – Bottom Assembly.....	4
Exploded view – Tank Assembly.....	5
Exploded view – Probe Assemblies.....	6
Exploded view - Cabinet Assembly.....	7
Exploded view – Drawer Cabinet Assembly.....	8
Exploded view – Drawer Assembly.....	9
Exploded view – Escutcheon Control Assembly.....	10
Exploded view – Fan Assembly.....	11
Electrical Schematic.....	12

MODELS COVERED BY THIS MANUAL:

HB80D1
HB85D1
HBK0D1
HBK5D1
HBL0D1
HBL5D1
HBM0D1
HBM5D1

WINSTON CVAP MODEL HBK,L,M,80-5,D SERIES

BACK INTERIOR ASSEMBLY

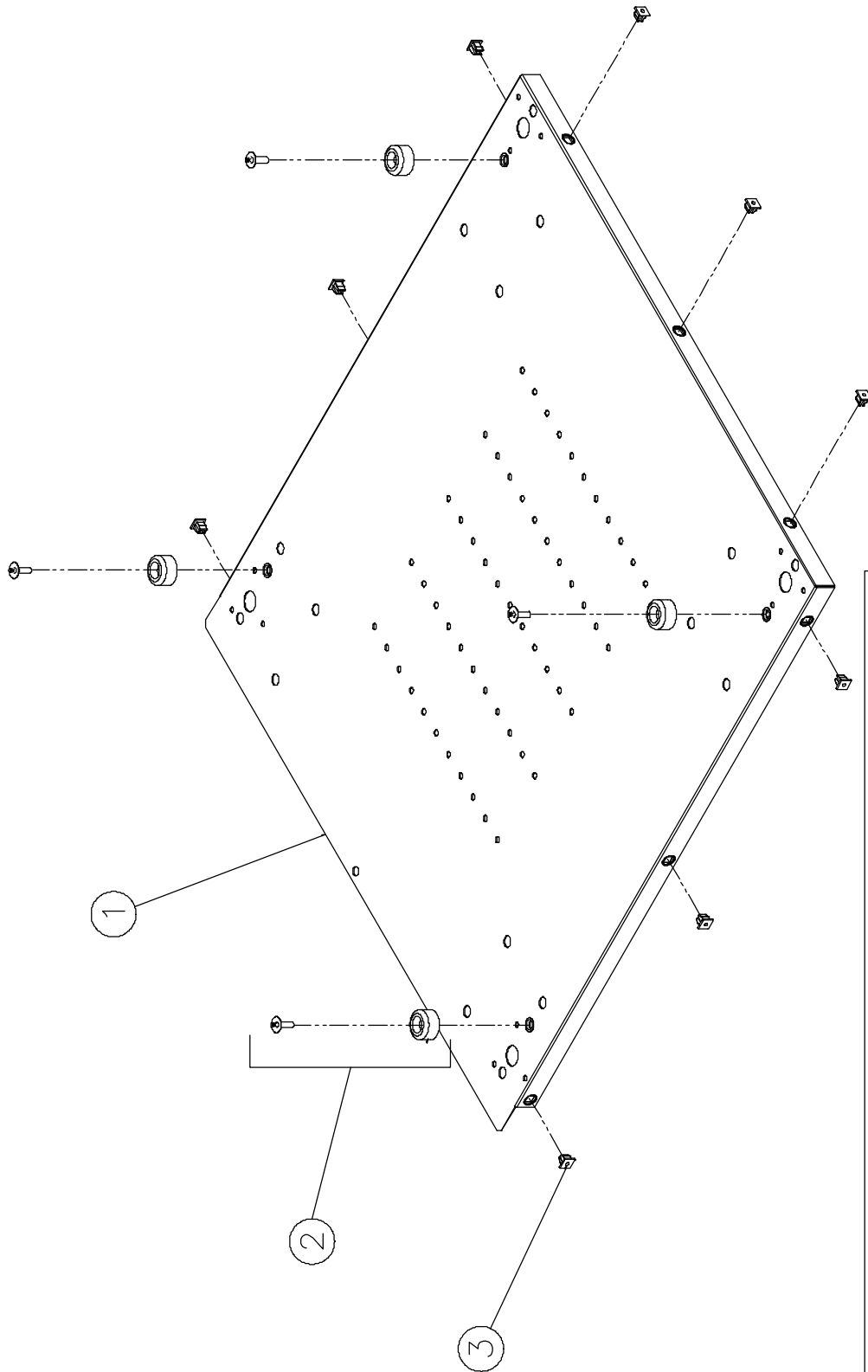


HBK,L,M,85,D BACK INTERIOR ASM	
SYM. QTY	PART NO. DESCRIPTION
1	REF ONLY (963X10) CAVITY BACK INT WELD
2	REF ONLY (695M01) CLAMP HEATER
3	REF ONLY (6071W01) COVER FAN
4	PS2197 (SEE BELOW) HEATER 120V 84DW - BEFORE 8/26/02
1	PS2705 HEATER 120V 84DW - AFTER 8/26/02
5	4 PS1233-6 NUT HEX #10-32 S.S.
6	1 PS2704 MOTOR FAN ASM
7	10 REF ONLY (4098K29) NUT KEPS #10-32
8	2 PS1784-3 O-RING .301 ID x .446 OD.
9	2 REF ONLY (204M01) RETAINER O-RING HEATER
10	2 REF ONLY (1122N01) WASHER
11	1 PS2199 THERMOSTAT 250
12	4 REF ONLY (4098N53) NUT NYLON INSERT #10-32

VIEWED FROM INSIDE

WINSTON CVAP MODEL HBK,L,M,80-5,D SERIES

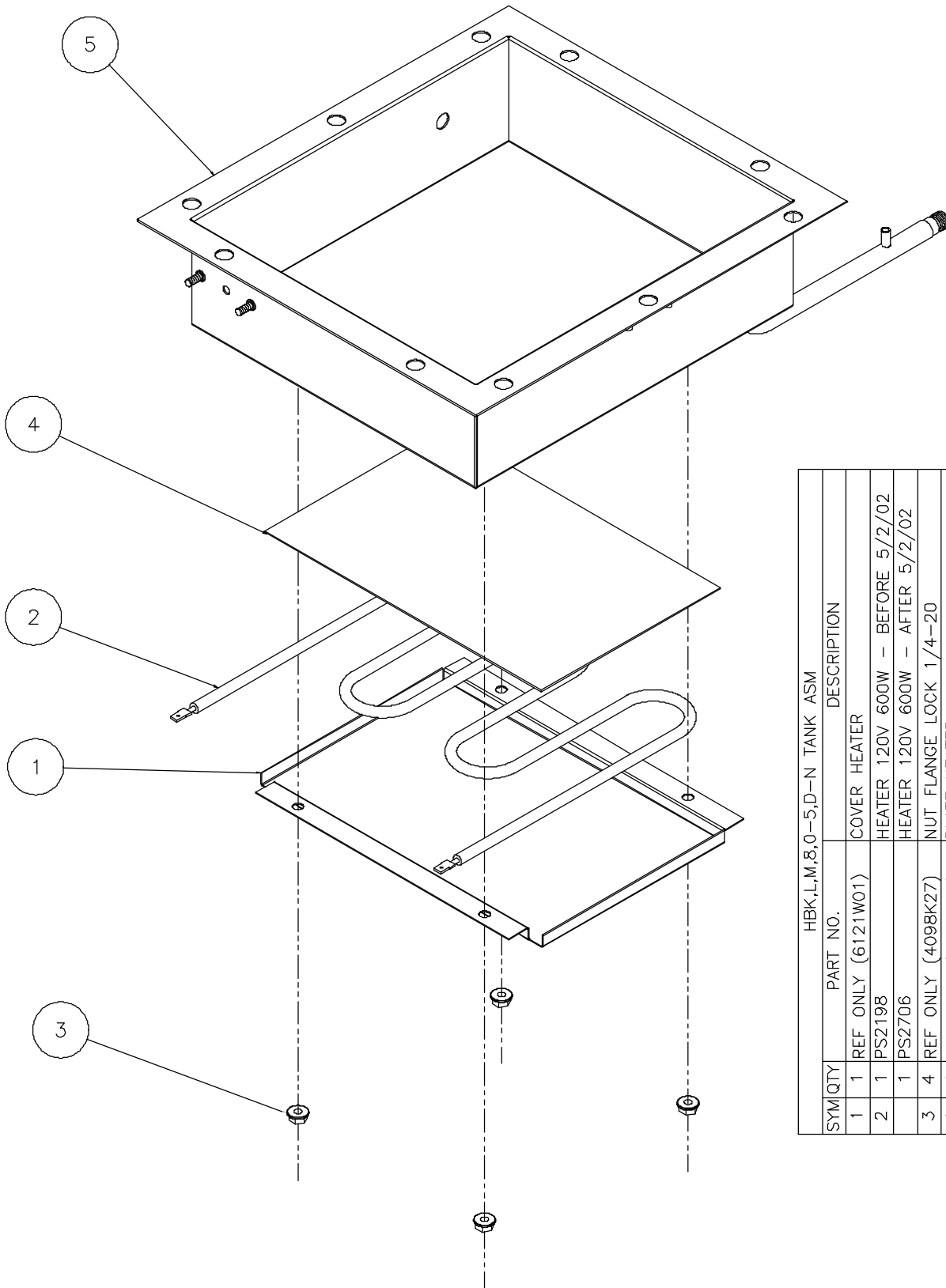
BOTTOM ASSEMBLY



HBK,L,M,80-5,D BOTTOM ASM		DESCRIPTION
SYM Qty	PART NO.	
1	REF ONLY (945W11)	BOTTOM
2	PS2670-4	BUMPER FEET (4)
3	REF ONLY (4091K03)	GROMMET SCREW #10

WINSTON CVAP MODEL HBK,L,M,80-5,D SERIES

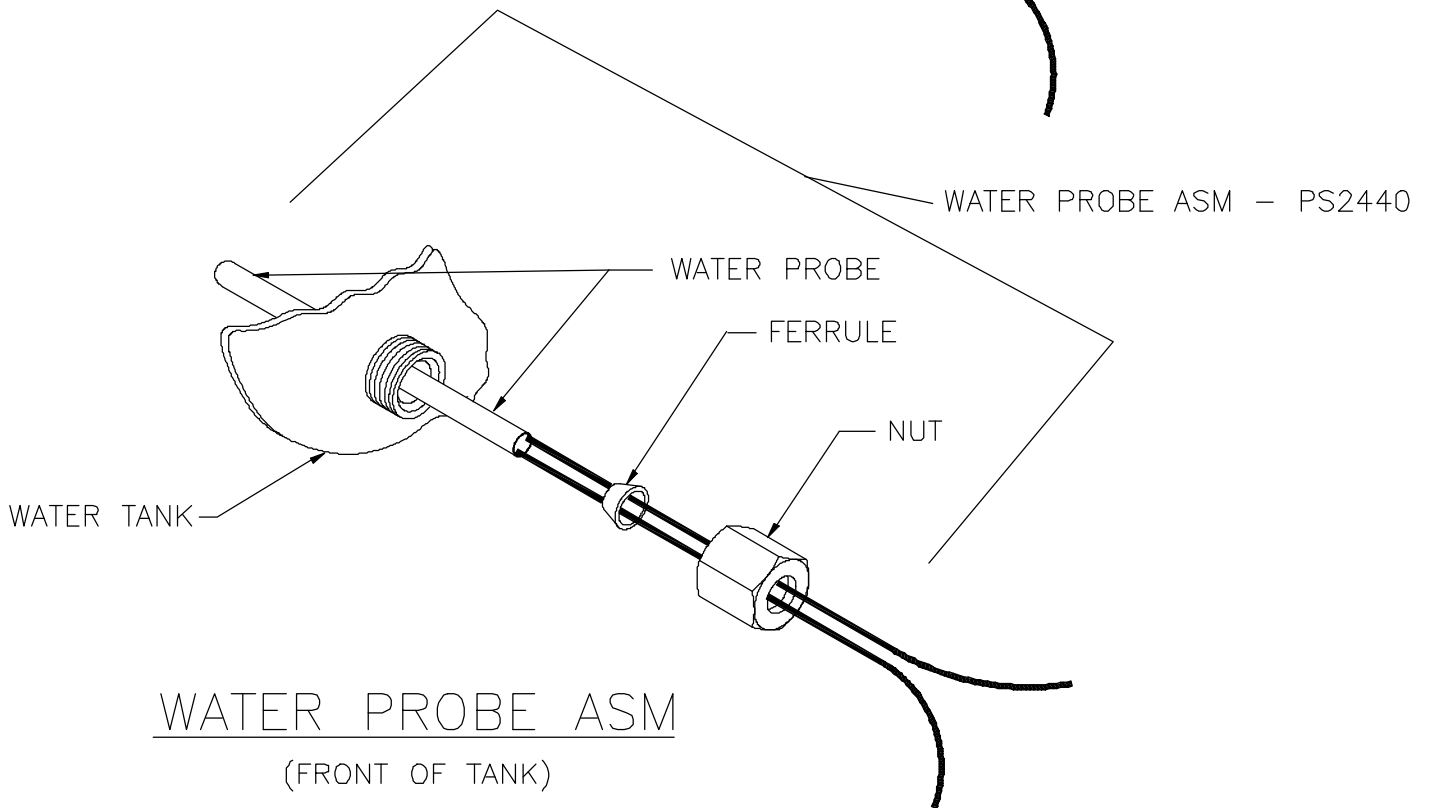
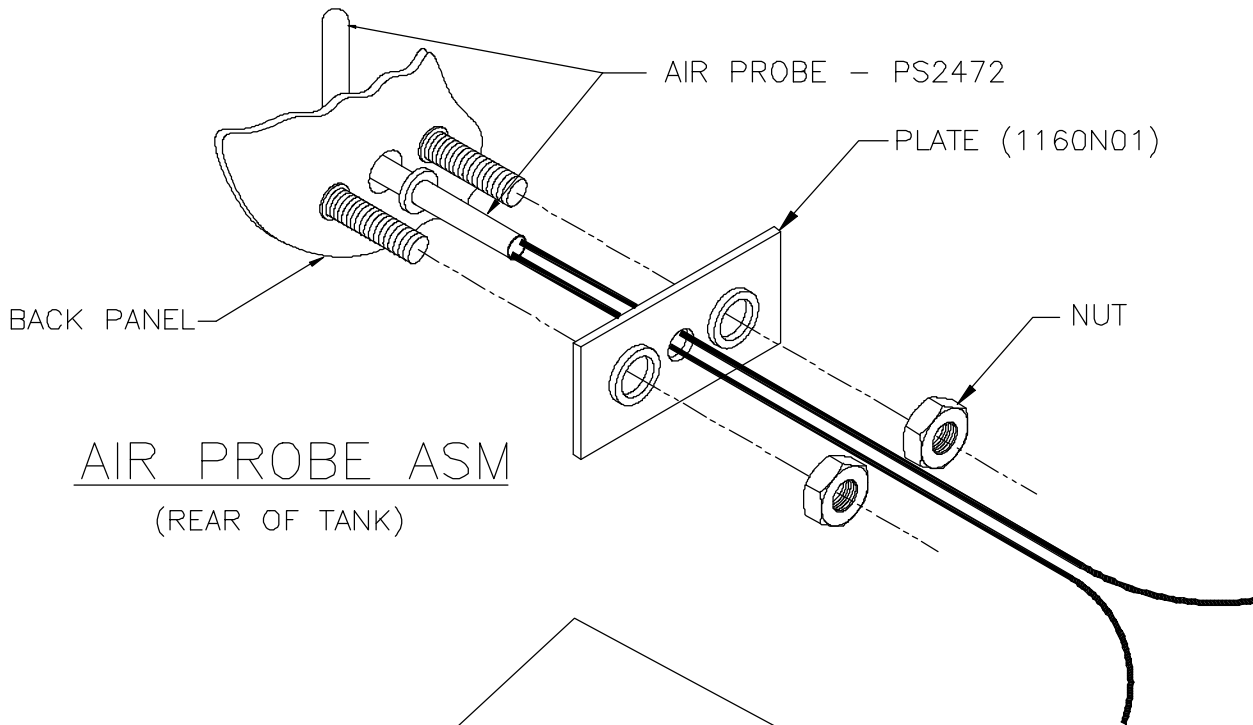
TANK ASSEMBLY



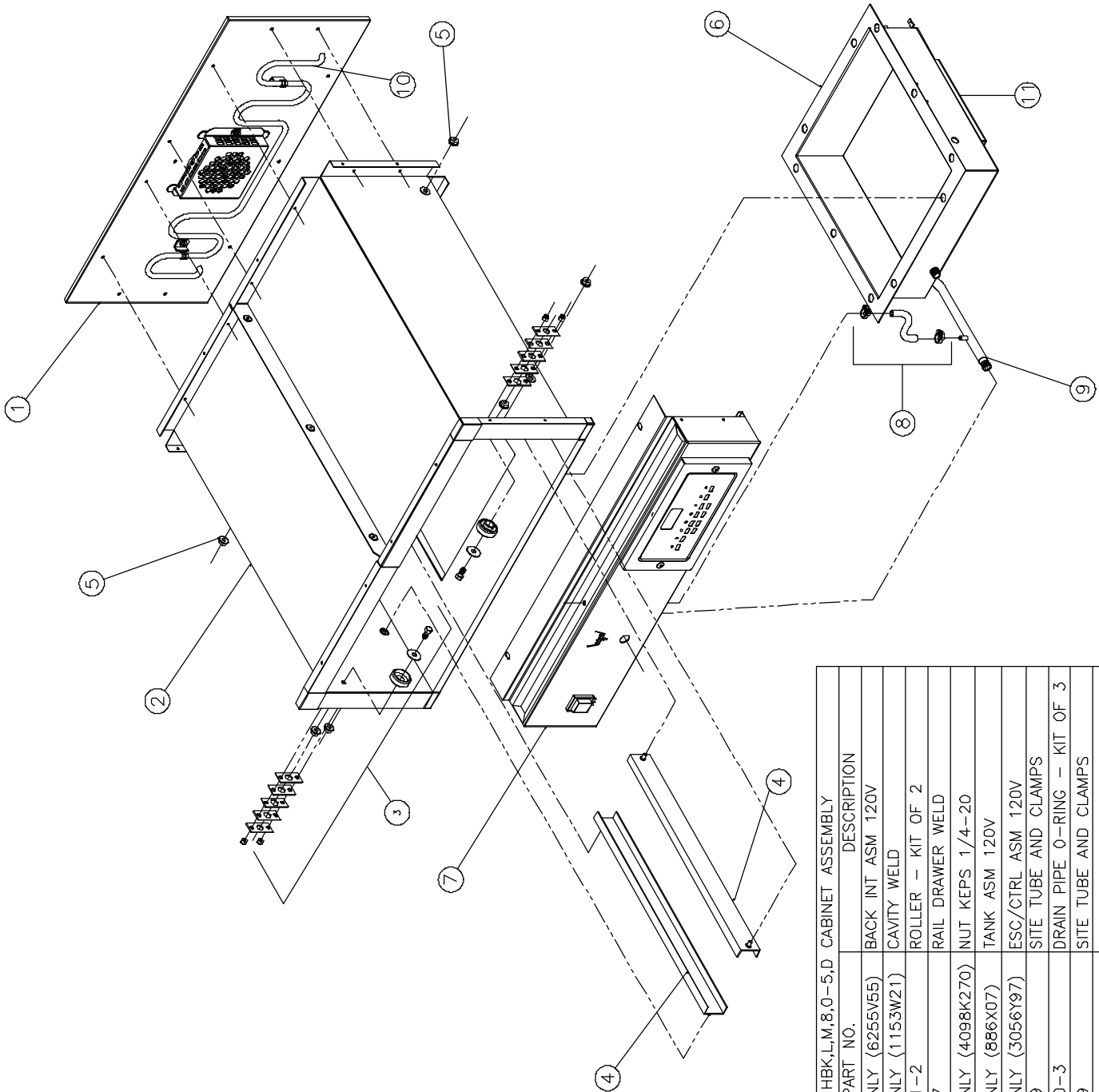
HBK,L,M,8,0-5,D-N TANK ASM	
SYM QTY	DESCRIPTION
1	COVER HEATER
1	HEATER 120V 600W - BEFORE 5/2/02
1	HEATER 120V 600W - AFTER 5/2/02
4	NUT FLANGE LOCK 1/4-20
1	PLATE HEATER
1	TANK WELD

WINSTON CVAP MODEL HBK,L,M,80-5,D SERIES

PROBE ASSEMBLIES



WINSTON CVAP MODEL HBK,L,M,80-5,D SERIES CABINET ASSEMBLY

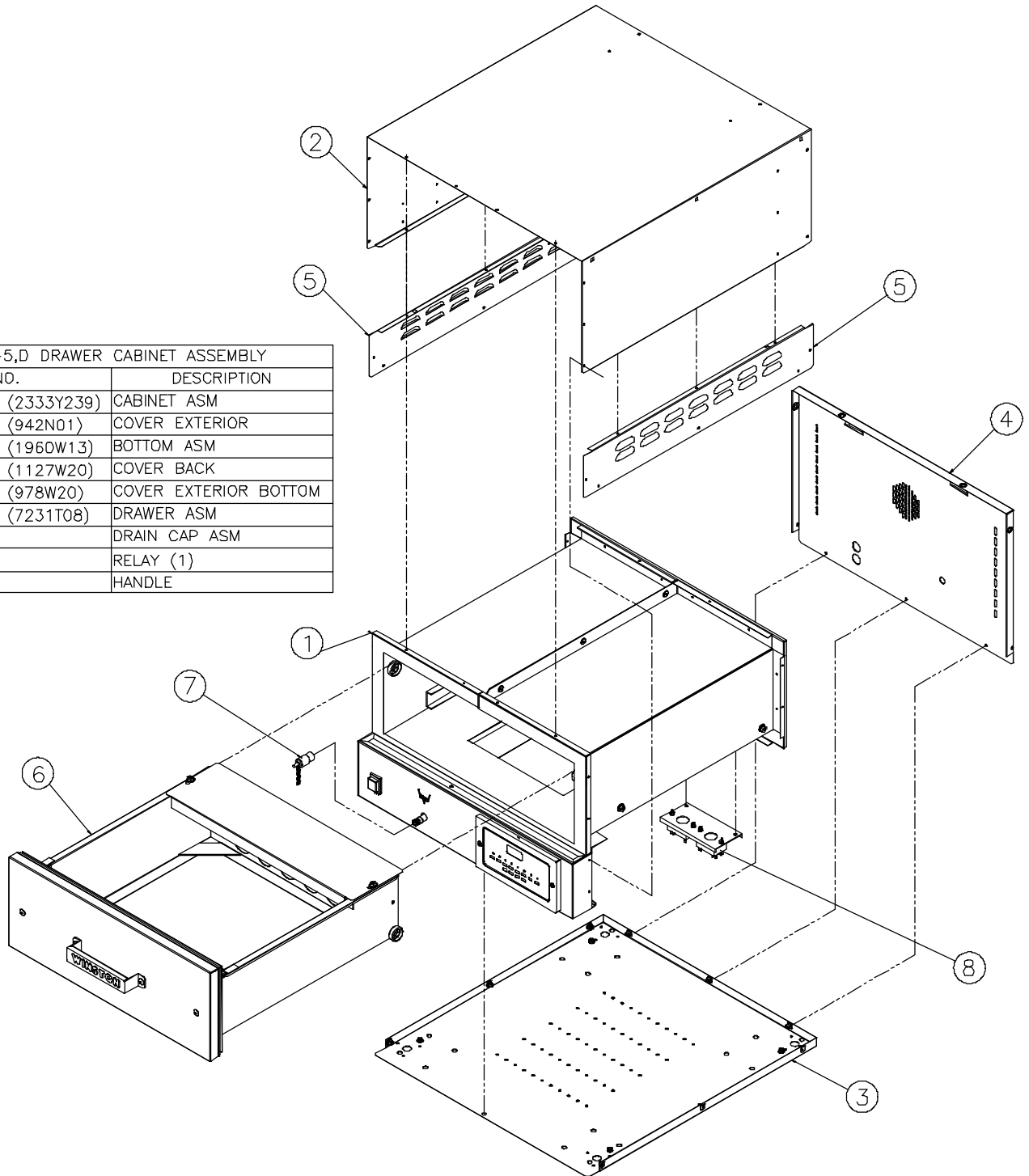


HBK,L,M,8,0-5,D CABINET ASSEMBLY	
SYM QTY	PART NO. DESCRIPTION
1	REF ONLY (6255V55) BACK INT ASM 120V
2	REF ONLY (1153W21) CAVITY WELD
3	PS2181-2 ROLLER - KIT OF 2
4	PS2227 RAIL DRAWER WELD
5	REF ONLY (4098K270) NUT KEPS 1/4-20
6	REF ONLY (886X07) TANK ASM 120V
7	REF ONLY (3056Y97) ESC/CTRL ASM 120V
8	PS2319 SITE TUBE AND CLAMPS
9	PS1280-3 DRAIN PIPE 0-RING - KIT OF 3
10	PS2319 SITE TUBE AND CLAMPS
11	PS2319 SITE TUBE AND CLAMPS

WINSTON CVAP MODEL HBK,L,M,80-5,D SERIES

DRAWER CABINET ASSEMBLY

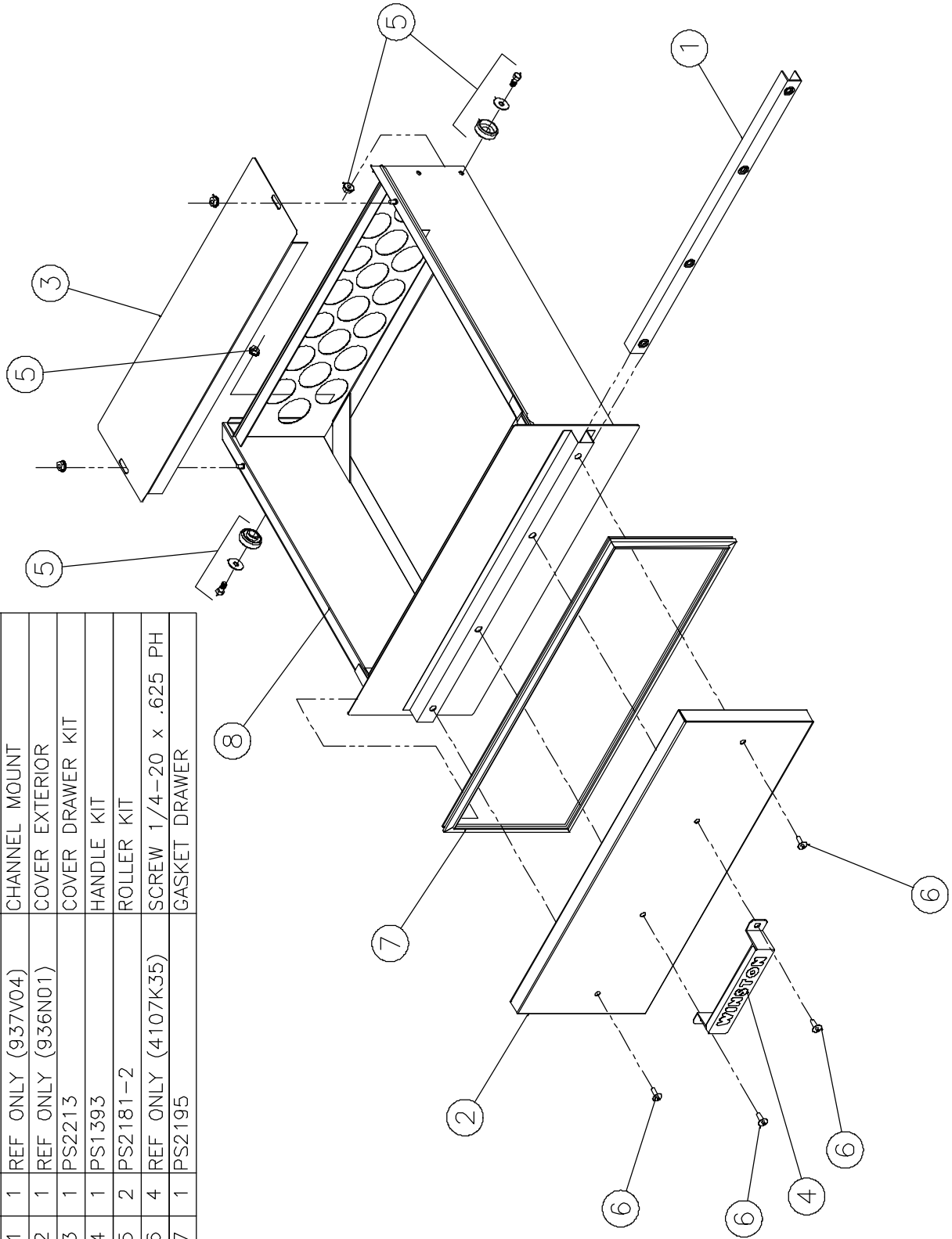
HBK,L,M,80-5,D DRAWER CABINET ASSEMBLY			
SYM	QTY	PART NO.	DESCRIPTION
1	1	REF ONLY (2333Y239)	CABINET ASM
2	1	REF ONLY (942N01)	COVER EXTERIOR
3	1	REF ONLY (196DW13)	BOTTOM ASM
4	1	REF ONLY (1127W20)	COVER BACK
5	2	REF ONLY (978W20)	COVER EXTERIOR BOTTOM
6	1	REF ONLY (7231T08)	DRAWER ASM
7	1	PS1654	DRAIN CAP ASM
8	2	PS2649	RELAY (1)
9	1	PS1393	HANDLE



WINSTON CVAP MODEL HBK,L,M,80-5,D SERIES

DRAWER ASSEMBLY

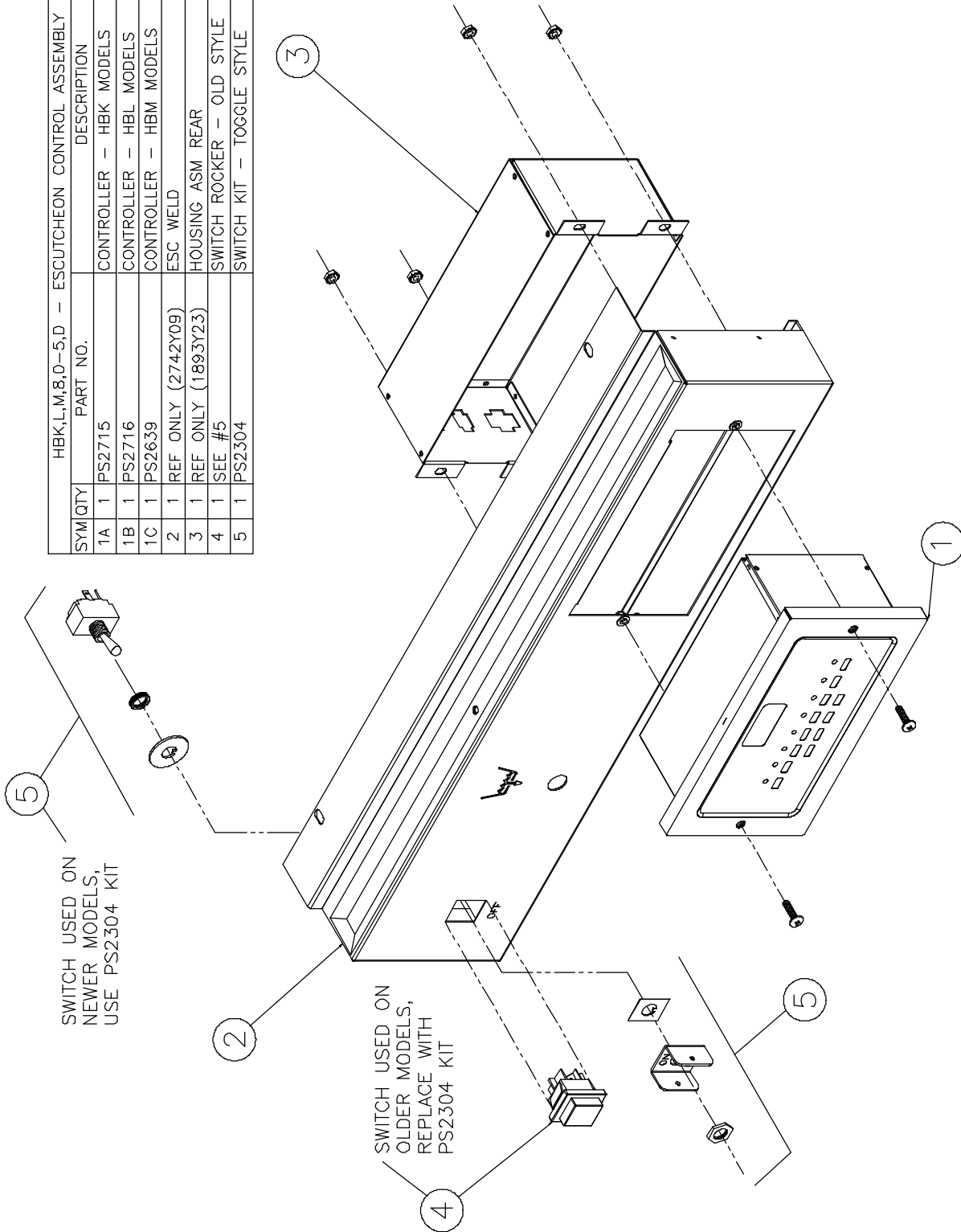
HBK,L,M,8,0-5,D DRAWER ASSEMBLY		DESCRIPTION
SYM	QTY	PART NO.
1	1	REF ONLY (937V04)
2	1	REF ONLY (936N01)
3	1	PS2213
4	1	PS1393
5	2	PS2181-2
6	4	REF ONLY (4107K35)
7	1	PS2195



WINSTON CVAP MODEL HBK,L,M,80-5,D SERIES

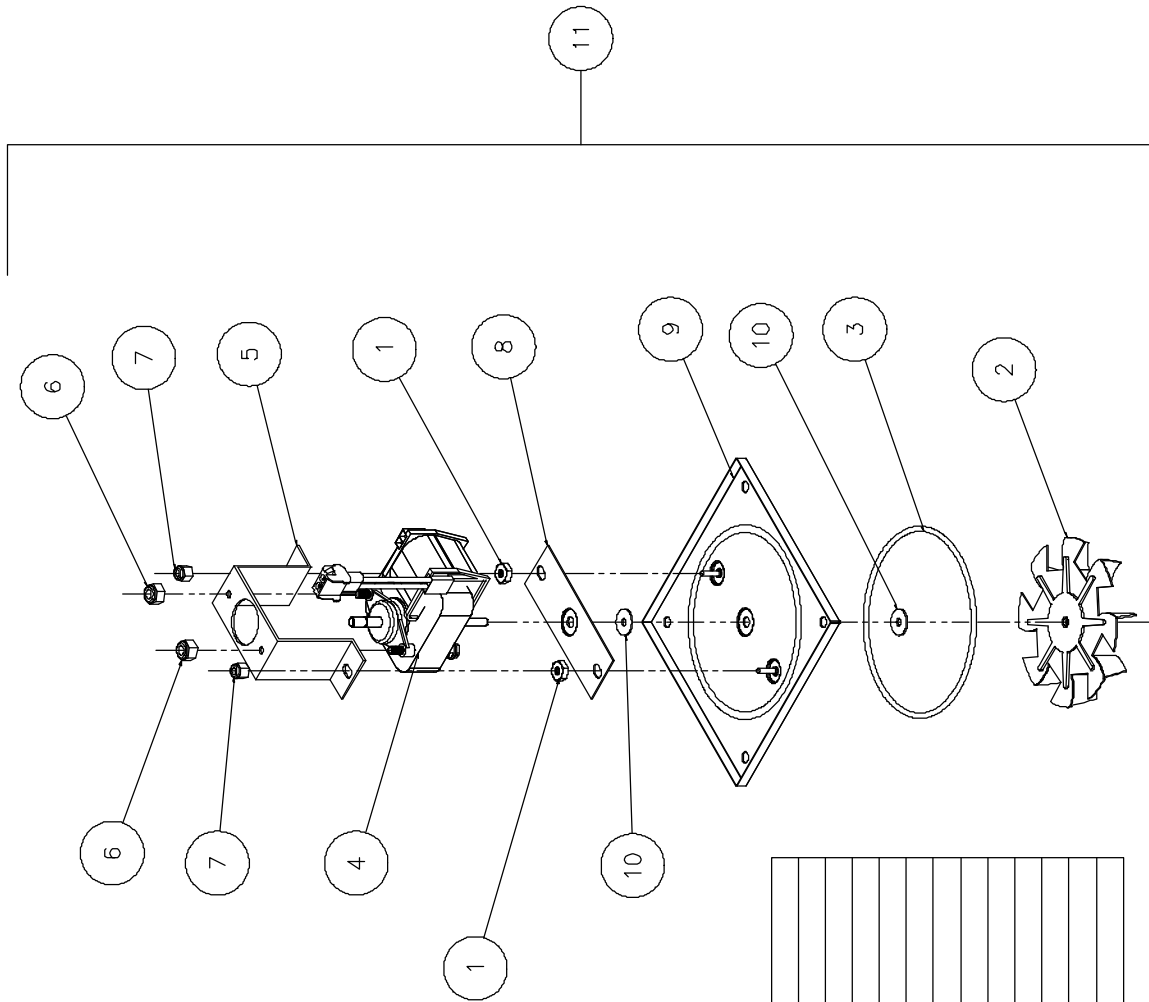
ESCUTCHEON CONTROL ASSEMBLY

HBK,L,M,8,0-5,D - ESCUTCHEON CONTROL ASSEMBLY		DESCRIPTION
SYM	QTY	PART NO.
1A	1	PS2715
1B	1	PS2716
1C	1	PS2639
2	1	REF ONLY (2742Y09)
3	1	REF ONLY (1893Y23)
4	1	SEE #5
5	1	PS2304



WINSTON CVAP MODEL HBK,L,M,80-5,D SERIES

FAN ASSEMBLY (HBK,L,M,85 MODELS ONLY)



SYM	QTY	PART NO.	DESCRIPTION
1	2	REF ONLY (4098W78)	NUT JAM 1/4-20
2	1	PS2544	FAN 4.00 DIA.
3	1	REF ONLY (6159WD1)	GASKET FAN ASM
4	1	PS2196	MOTOR 120V
5	1	REF ONLY (176W08)	MOUNT FAN
6	2	REF ONLY (4098N53)	NUT NYLON INSERT #10-32
7	2	REF ONLY (4098Q58)	NUT NYLON INSERT #8-32
8	1	REF ONLY (1070WD2)	RETAINER SHAFT
9	1	REF ONLY (6106W01)	PLATE WELD
10	2	REF ONLY (4023W21)	WASHER SLINGER
11	1	PS2704	FAN AND MOTOR ASM

WINSTON CVAP MODEL HBK,L,M,80-5,D SERIES

SCHEMATIC

(model numbers with '0' in the fourth character do not have fan)

