



# HBA0/5 'D' SERIES

## Parts Identification Manual



HBA5D2 SHOWN

# WINSTON CVAP MODEL HBA0/5D SERIES

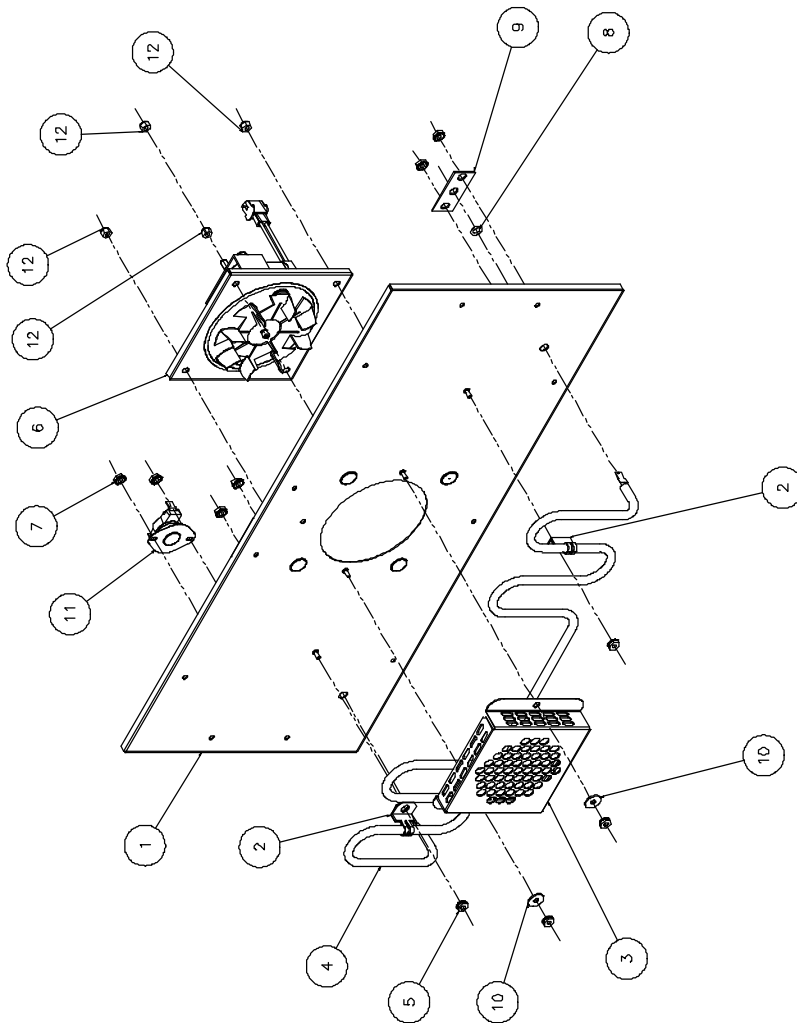
## TABLE OF CONTENTS

Exploded view – Back Interior Assembly .....	3
Exploded view – Bottom Assembly.....	4
Exploded view – Tank Assembly.....	5
Exploded view – Probe Assemblies.....	6
Exploded view - Cabinet Assembly.....	7
Exploded view – Drawer Cabinet Assembly.....	8
Exploded view – Drawer Assembly.....	9
Exploded view – Escutcheon Control Assembly.....	10
Exploded view – Fan Assembly.....	11
Electrical Schematic.....	12

# WINSTON CVAP MODEL HBA0/5D SERIES

## BACK INTERIOR ASSEMBLY

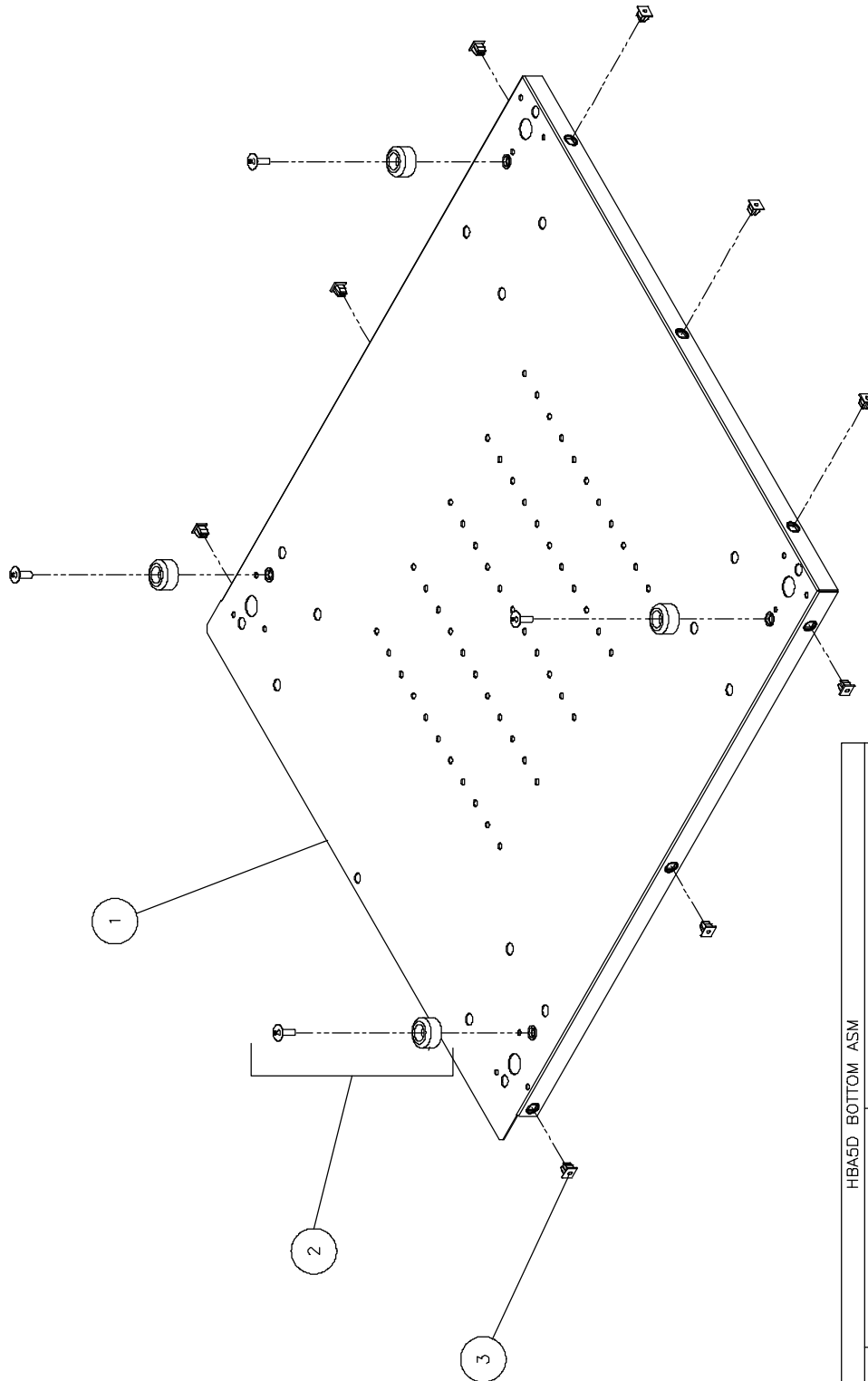
SYM.	QTY.	PART NO.	DESCRIPTION
1	1	REF ONLY (963X10)	CAVITY BACK INT WELD
2	2	REF ONLY (693M01)	CLAMP HEATER
3	1	REF ONLY (6071W01)	COVER FAN
4	1	PS2197	HEATER 120V 840W - BEFORE 8/26/02
			HEATER 120V 840W - AFTER 8/26/02
5	4	PS1253-6	NUT HEX #10-32 S.S.
6	1	PS2704	MOTOR FAN ASM
7	10	REF ONLY (409BK29)	NUT KEPS #10-32
8	2	PS1784-3	O-RING .301 ID x 446 OD
9	2	REF ONLY (204M01)	RETAINER O-RING HEATER
10	2	REF ONLY (1122N01)	WASHER
11	1	PS2199	THERMOSTAT 250
12	4	REF ONLY (409BN53)	NUT NYLON INSERT #10-32



VIEWED FROM INSIDE

# WINSTON CVAP MODEL HBA0/5D SERIES

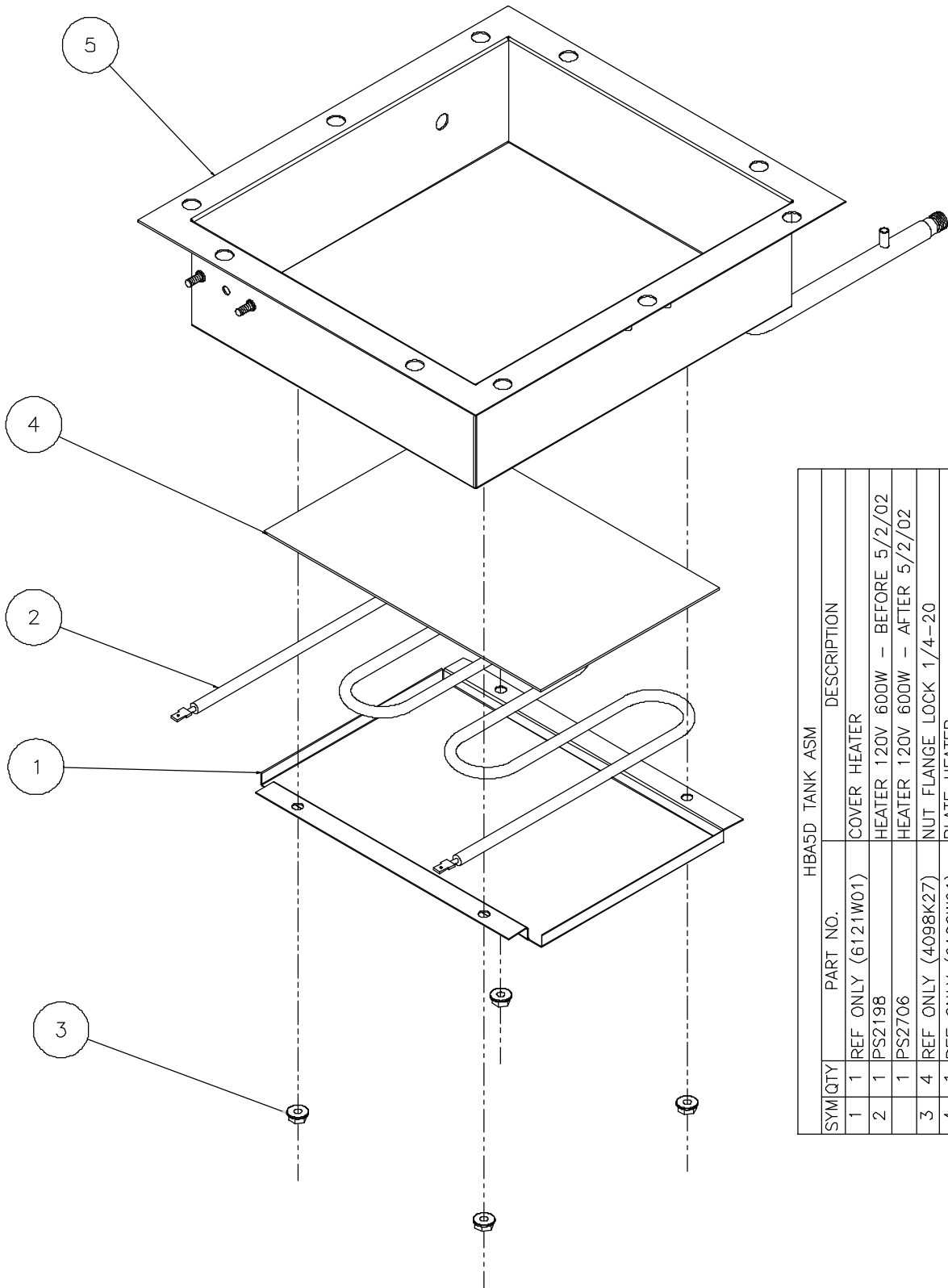
## BOTTOM ASSEMBLY



HBA5D_BOTTOM_ASM		PART NO.	DESCRIPTION
SYM	Qty	1 REF ONLY (945W11)	BOTTOM
		2 4 PS2670-4	BUMPER FEET (4)
		3 9 REF ONLY (4091K03)	GROMMET SCREW #10

# WINSTON CVAP MODEL HBA0/5D SERIES

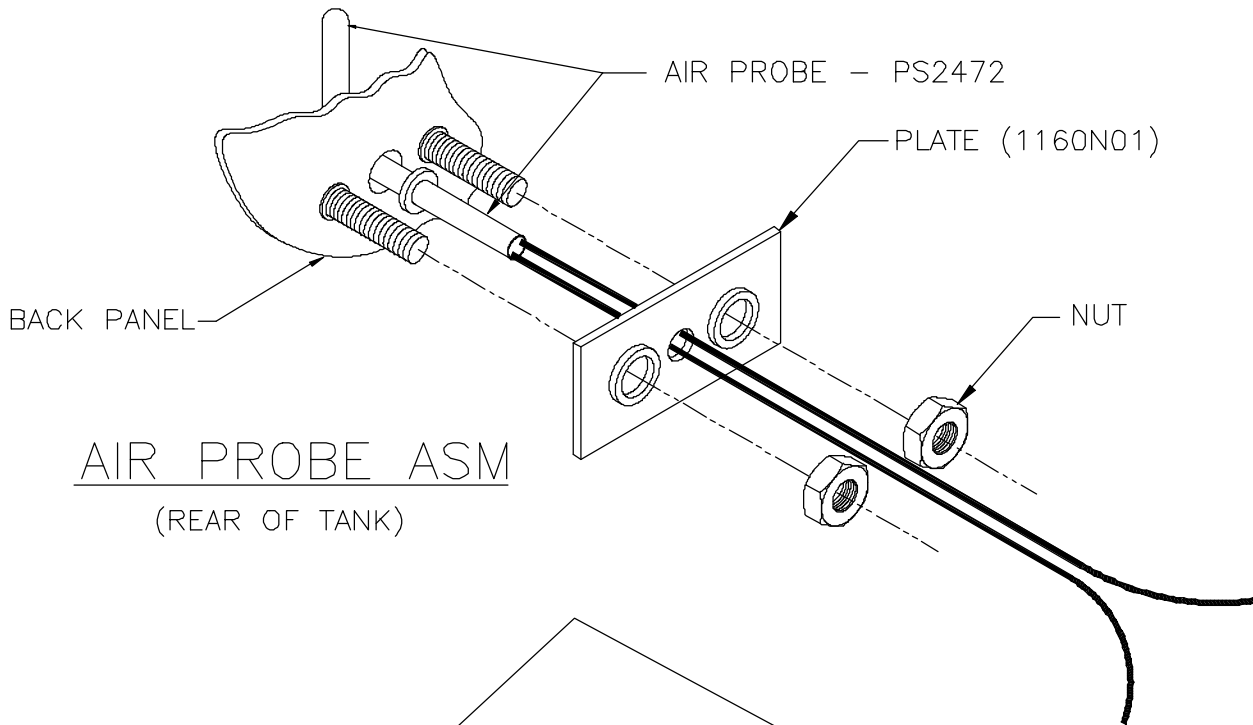
## TANK ASSEMBLY



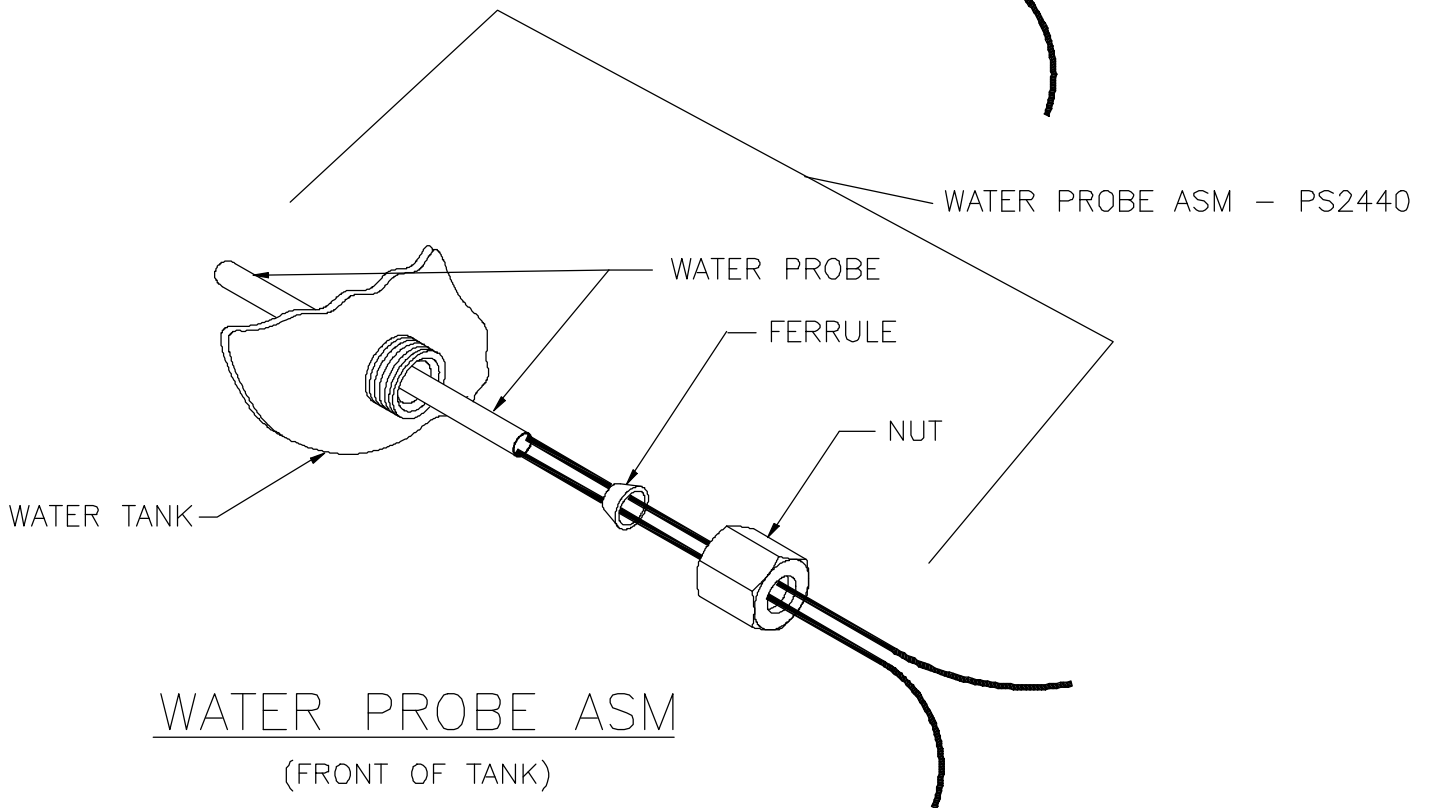
HBA5D TANK ASM		
SYM/QTY	PART NO.	DESCRIPTION
1	REF ONLY (6121W01)	COVER HEATER
2	PS2198	HEATER 120V 600W -- BEFORE 5/2/02
1	PS2706	HEATER 120V 600W -- AFTER 5/2/02
3	REF ONLY (4098K27)	NUT FLANGE LOCK 1/4-20
4	REF ONLY (6122W01)	PLATE HEATER
5	REF ONLY (965U08)	TANK WELD

# WINSTON CVAP MODEL HBA0/5D SERIES

## PROBE ASSEMBLIES

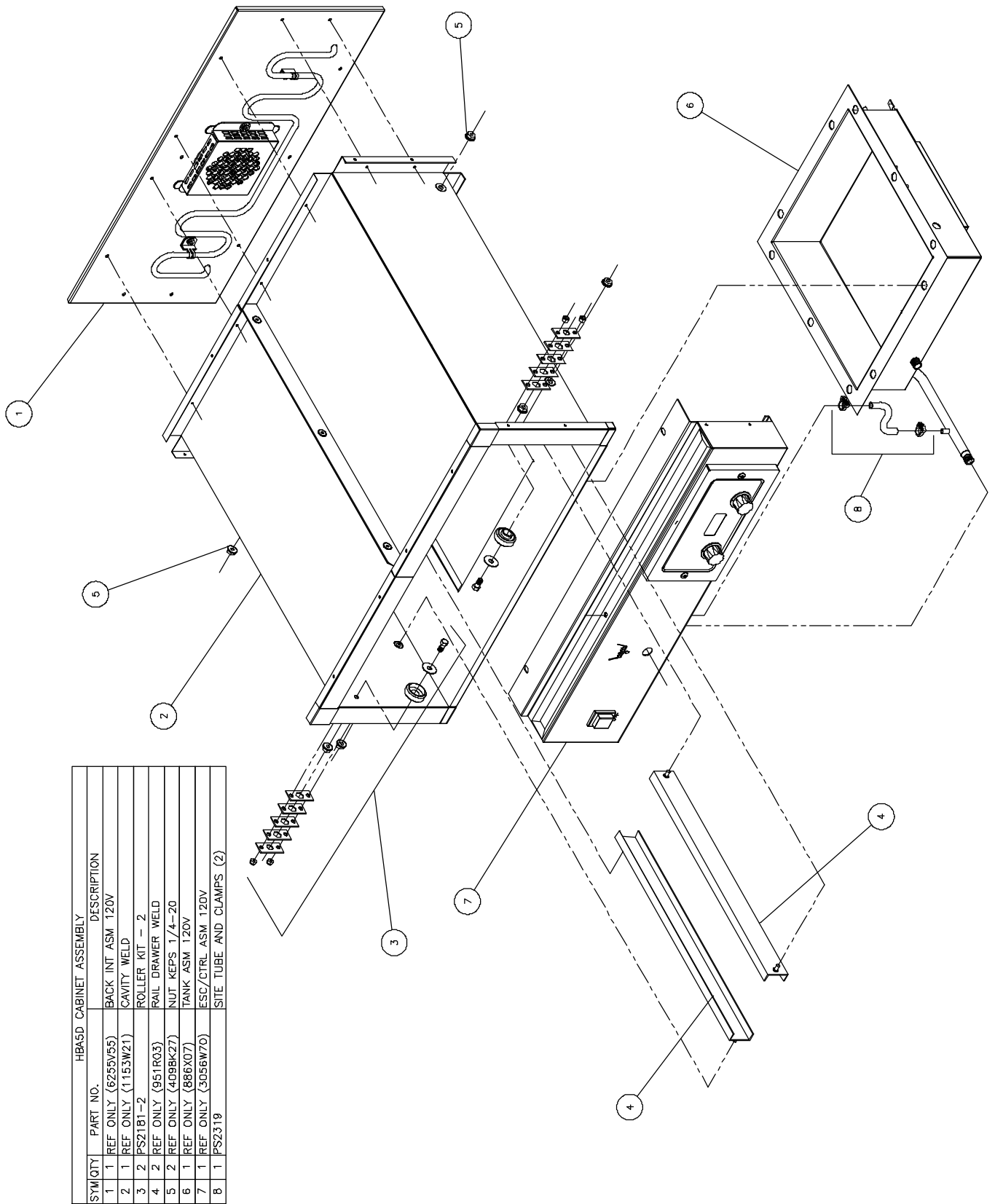


AIR PROBE ASM  
(REAR OF TANK)



WATER PROBE ASM  
(FRONT OF TANK)

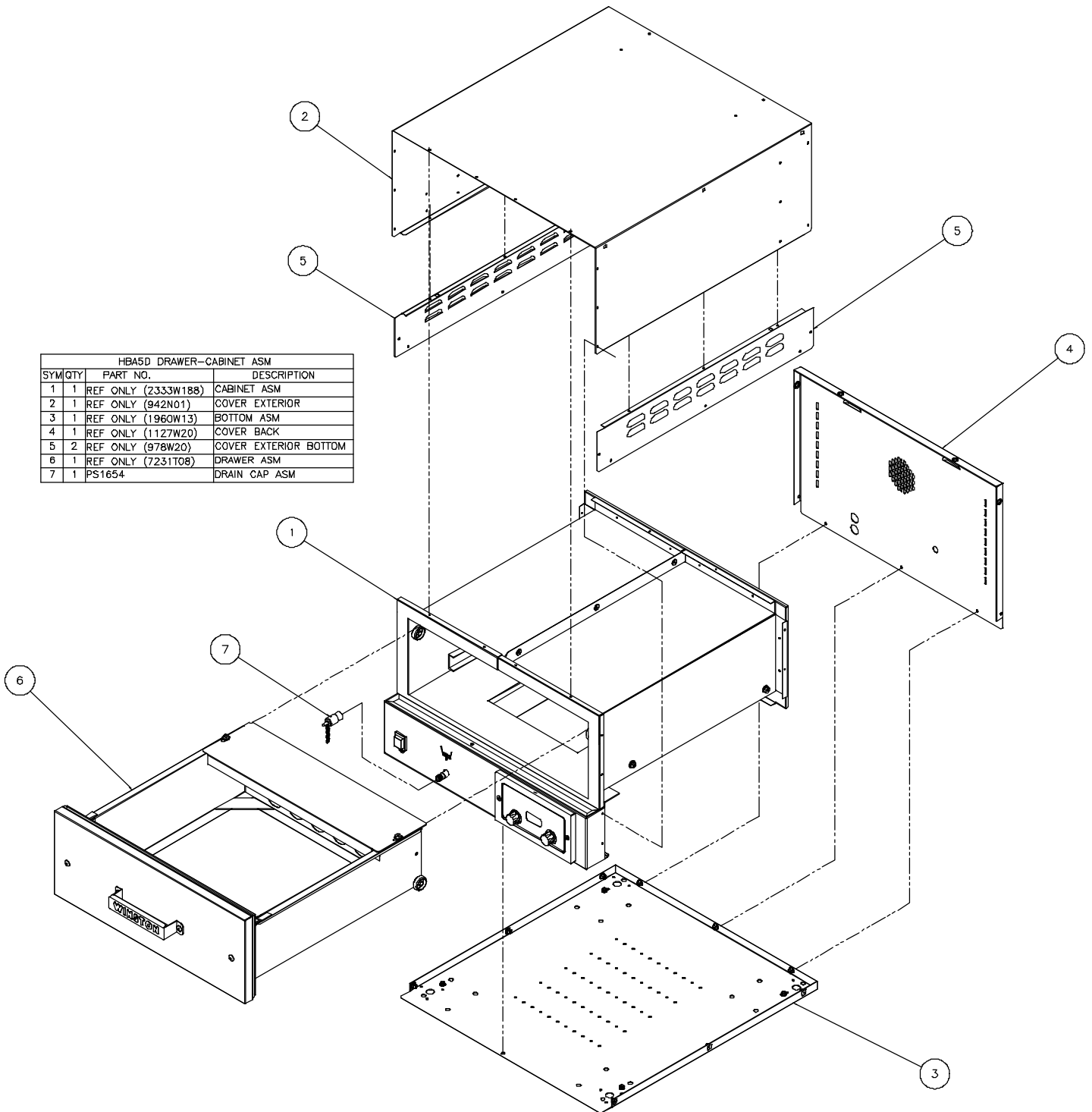
# WINSTON CVAP MODEL HBA0/5D SERIES CABINET ASSEMBLY



HBA5D CABINET ASSEMBLY	
SYM/QTY	PART NO. DESCRIPTION
1	REF ONLY (6255V55) BACK INT ASM 120V
2	REF ONLY (1153W21) CAVITY WELD
3	PS2181-2 ROLLER KIT - 2
4	REF ONLY (951R03) RAIL DRAWER WELD
5	REF ONLY (409BK27) NUT KEPS 1/4-20
6	REF ONLY (886X07) TANK ASM 120V
7	REF ONLY (3056W70) ESC/CTRL ASM 120V
B	PS2319 SITE TUBE AND CLAMPS (2)

# WINSTON CVAP MODEL HBA0/5D SERIES

## DRAWER CABINET ASSEMBLY

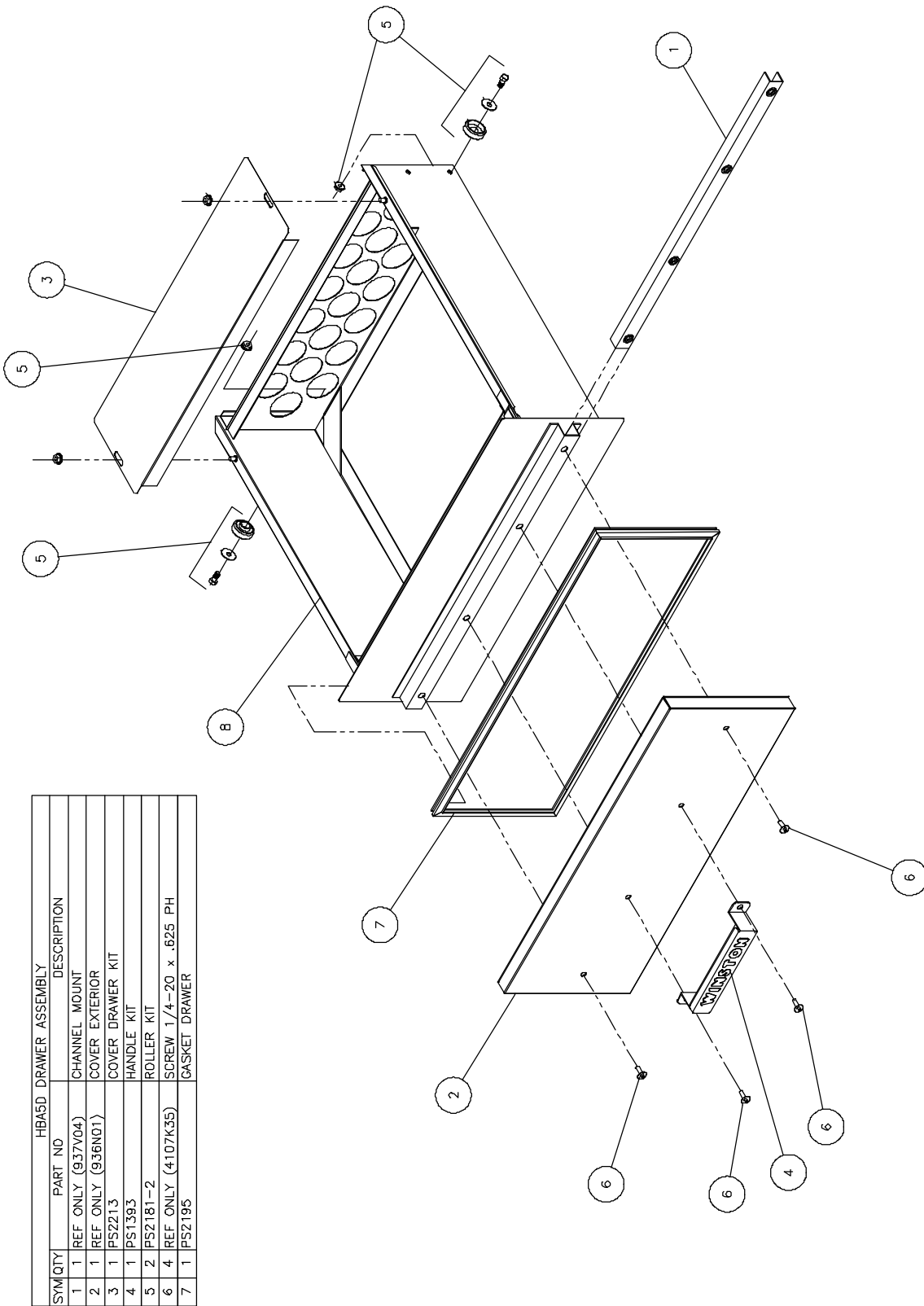


HBA5D DRAWER-CABINET ASM			
SYM	QTY	PART NO.	DESCRIPTION
1	1	REF ONLY (2333W188)	CABINET ASM
2	1	REF ONLY (942N01)	COVER EXTERIOR
3	1	REF ONLY (1960W13)	BOTTOM ASM
4	1	REF ONLY (1127W20)	COVER BACK
5	2	REF ONLY (978W20)	COVER EXTERIOR BOTTOM
6	1	REF ONLY (7231T08)	DRAWER ASM
7	1	PS1654	DRAIN CAP ASM



# WINSTON CVAP MODEL HBA0/5D SERIES

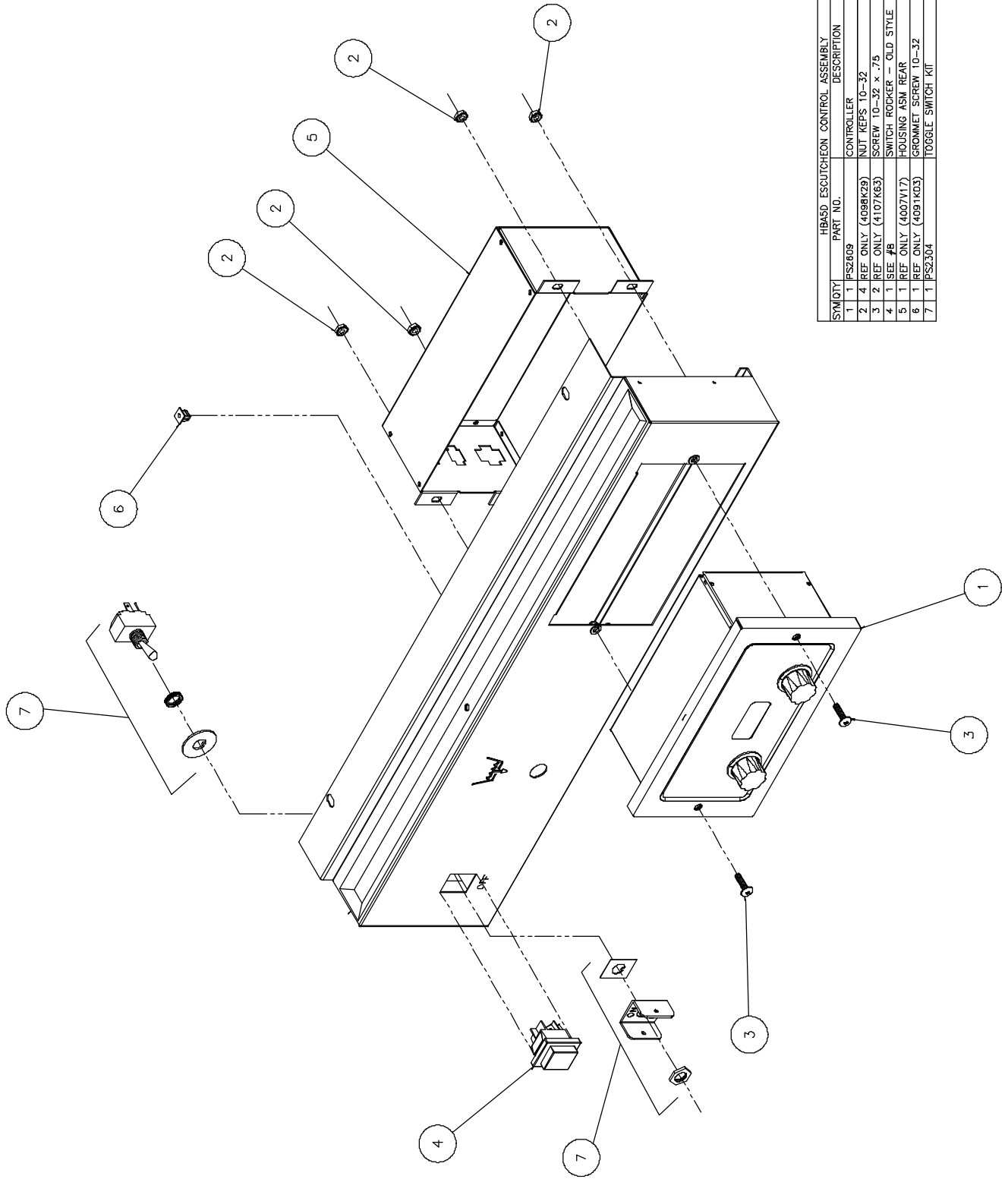
## DRAWER ASSEMBLY



HBA5D DRAWER ASSEMBLY	
SYM QTY	PART NO DESCRIPTION
1	REF ONLY (937V04) CHANNEL MOUNT
2	REF ONLY (936ND1) COVER EXTERIOR
3	PS2213 COVER DRAWER KIT
4	PS1393 HANDLE KIT
5	PS2181-2 ROLLER KIT
6	REF ONLY (4107K35) SCREW 1/4-20 x .625 PH
7	PS2195 GASKET DRAWER

# WINSTON CVAP MODEL HBA0/5D SERIES

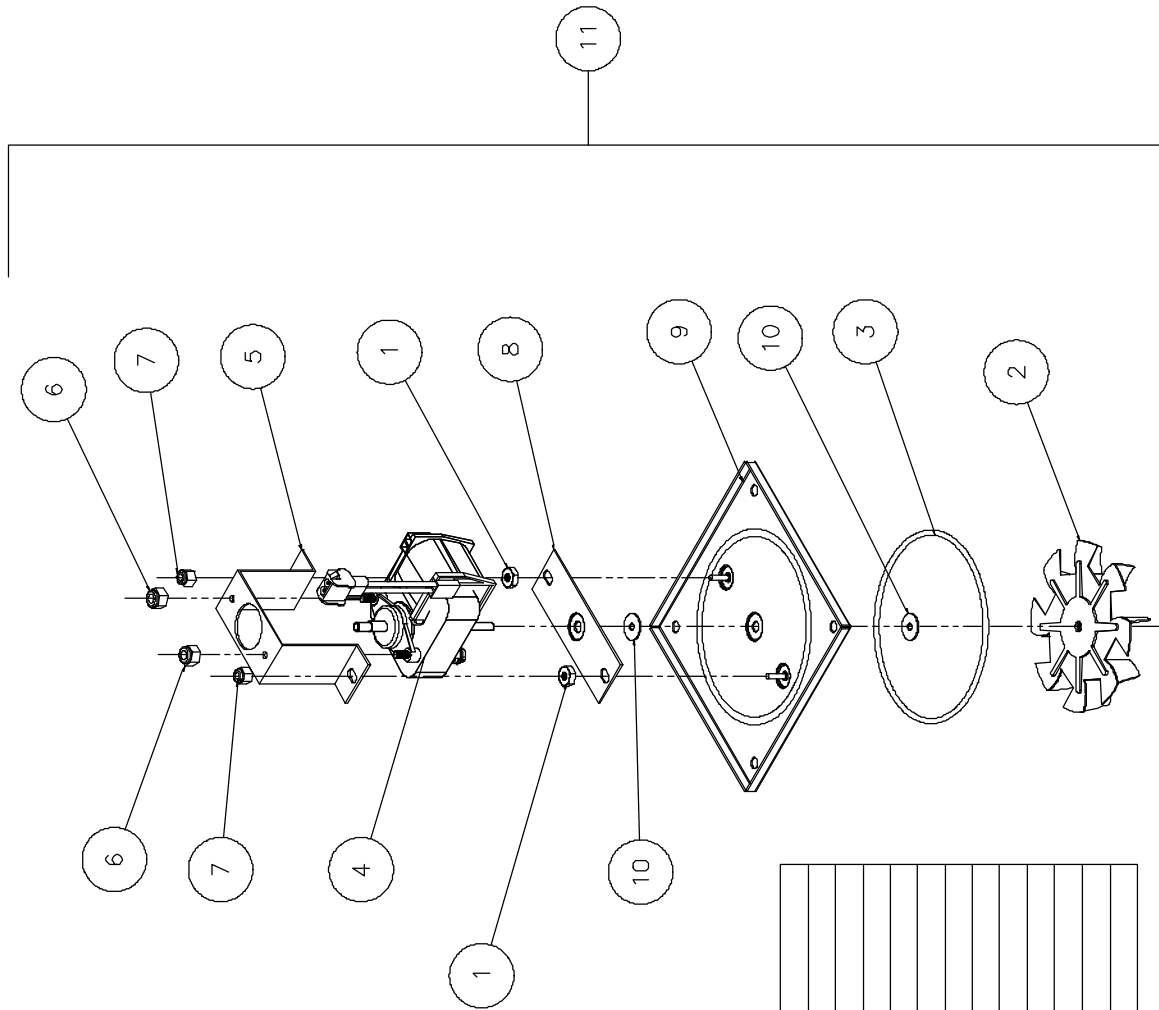
## ESCUTCHEON CONTROL ASSEMBLY



SYMBDTY	HBA0/D ESCUTCHEON CONTROL ASSEMBLY	PART NO.	DESCRIPTION
1	PSZ809	CONTROLLER	
2	REF ONLY (409BK29)	NUT KEPS 10-32	
3	REF ONLY (4107K63)	SCREW 10-32 x .75	
4	SEE #8	SWITCH ROCKER - OLD STYLE	
5	REF ONLY (4007Y17)	HOUSING ASM REAR	
6	REF ONLY (409TKD3)	GROMMET SCREW 10-32	
7	PSZ304	TOGGLE SWITCH KIT	

# WINSTON CVAP MODEL HBA0/5D SERIES

## FAN ASSEMBLY (HBA5 MODELS ONLY)



SYM QTY	PART NO.	DESCRIPTION
	HBA5D FAN ASM PS2704	
1	2 REF ONLY (4098W7B)	NUT JAM 1/4-20
2	1 PS2544	FAN 4.00 DIA.
3	1 REF ONLY (6159W01)	GASKET FAN ASM
4	1 PS2196	MOTOR 120V
5	1 REF ONLY (176W08)	MOUNT FAN
6	2 REF ONLY (4098N53)	NUT NYLON INSERT #10-32
7	2 REF ONLY (4098Q58)	NUT NYLON INSERT #8-32
8	1 REF ONLY (1070W02)	RETAINER SHAFT
9	1 REF ONLY (6106W01)	PLATE WELD
10	2 REF ONLY (4023W21)	WASHER SLINGER
11	1 PS2704	FAN AND MOTOR ASM

# WINSTON CVAP MODEL HBA0/5D SERIES

## SCHEMATIC (HBA0 MODELS DO NOT HAVE FAN)

