



# HBA0/5 'N' SERIES

## Parts Identification Manual



HBA5N1 SHOWN

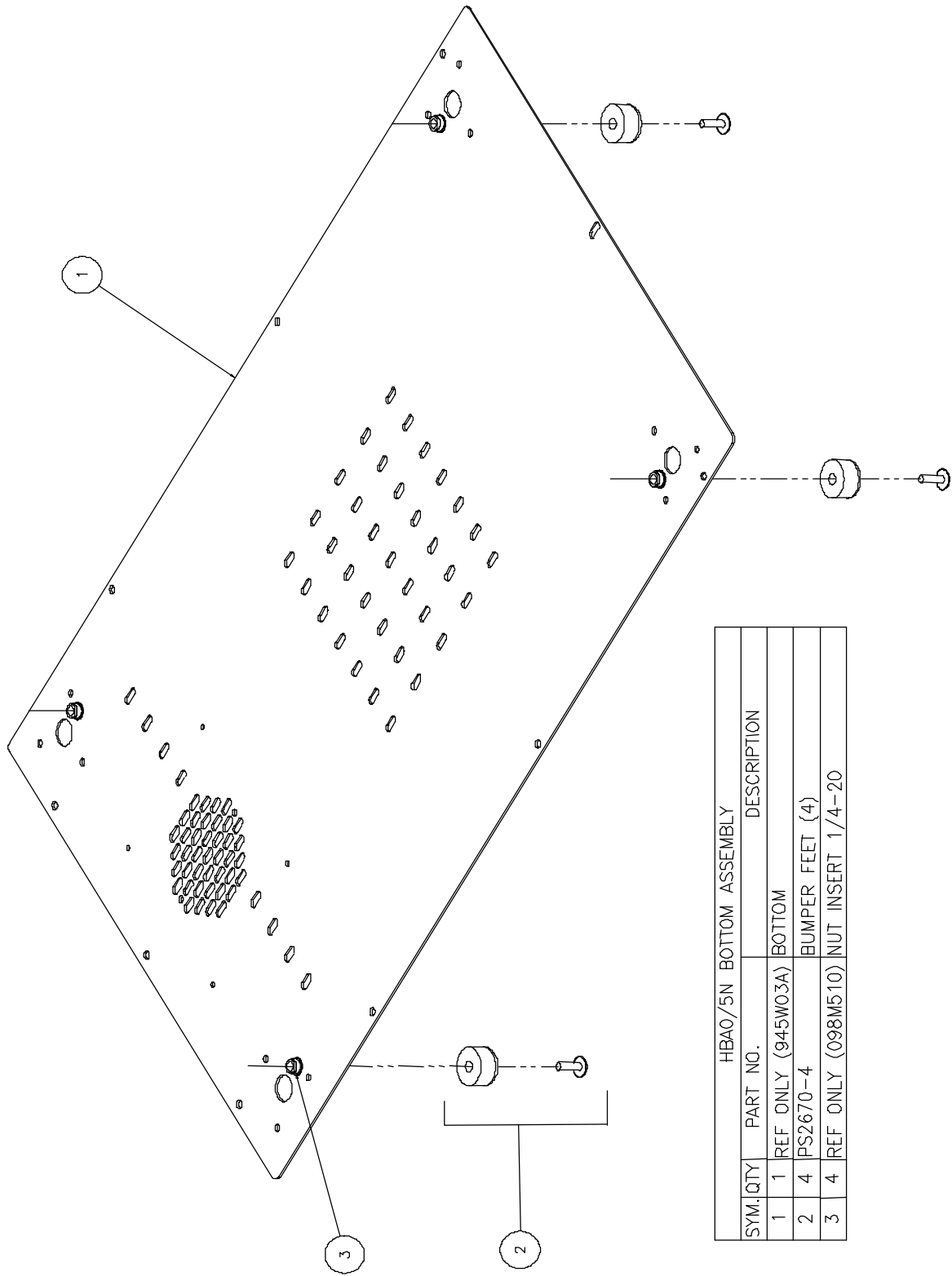
# WINSTON CVAP MODEL HBA0/5N SERIES

## TABLE OF CONTENTS

Exploded view – Bottom Assembly .....	3
Exploded view – Cabinet Assembly.....	4
Exploded view – Drawer Assembly.....	5
Exploded view – Cabinet & Drawer Assembly.....	6
Exploded view – Escutcheon / Control Assembly.....	7
Exploded view – Fan Assembly.....	8
Exploded view – Probe Assembly.....	9
Exploded view – Tank Assembly.....	10
Electrical Schematic.....	11

# WINSTON CVAP MODEL HBA0/5N SERIES

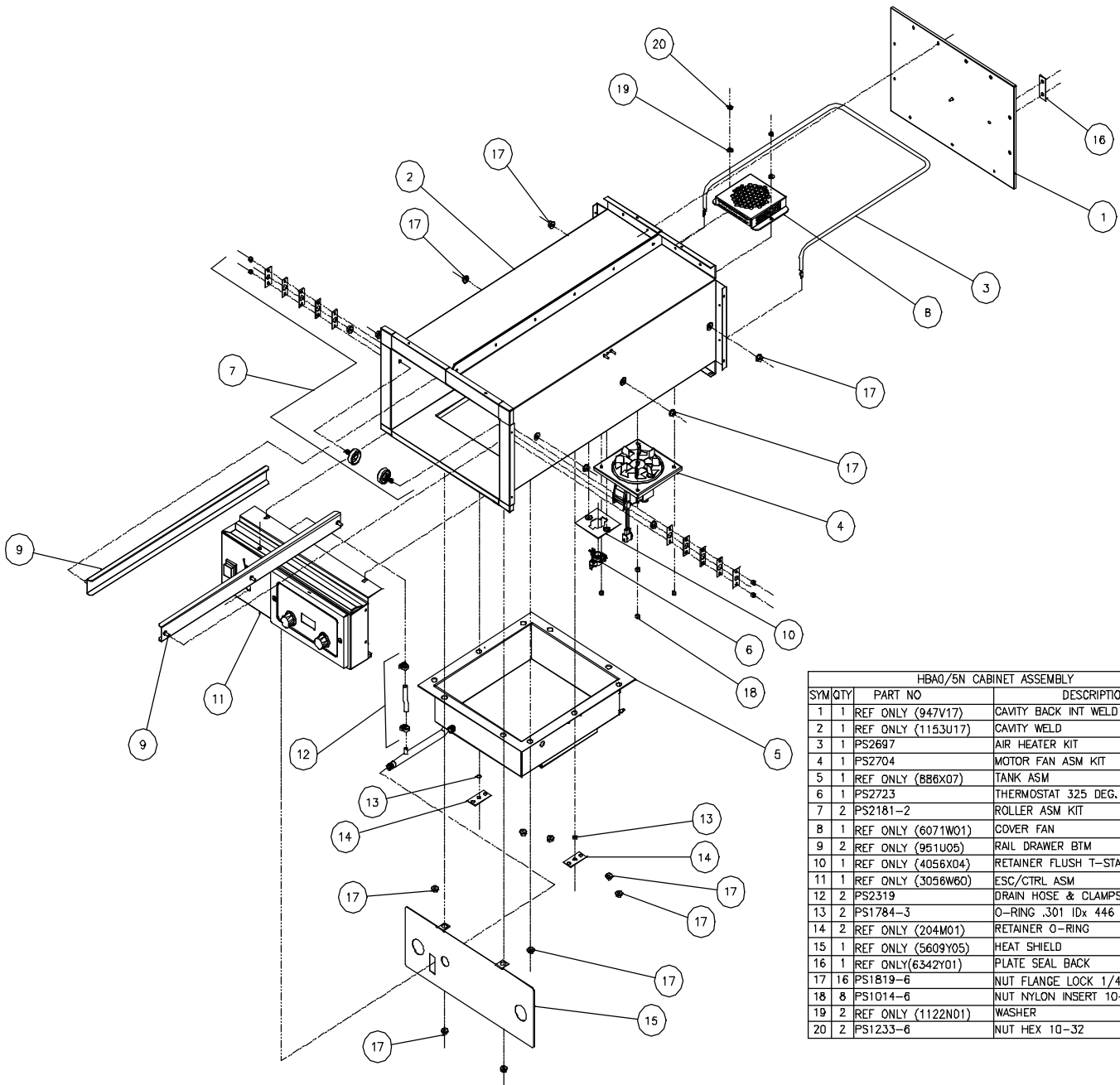
## BOTTOM ASSEMBLY



HBA0/5N BOTTOM ASSEMBLY	
SYM. QTY	PART NO. DESCRIPTION
1	REF ONLY (945W03A) BOTTOM
2	PS2670-4 BUMPER FEET (4)
3	REF ONLY (098M510) NUT INSERT 1/4-20

# WINSTON CVAP MODEL HBA0/5N SERIES

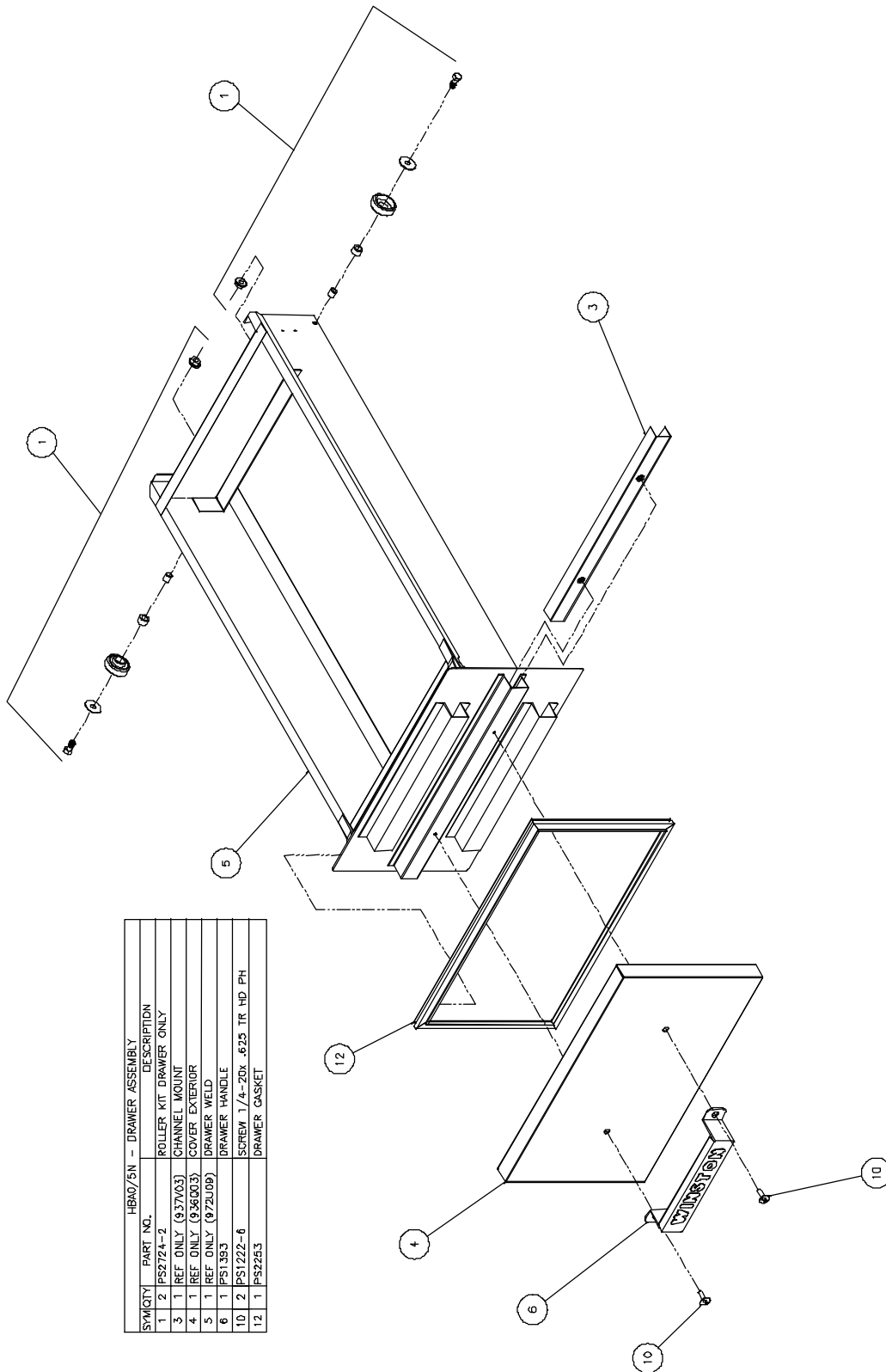
## CABINET ASSEMBLY



HBA0/5N CABINET ASSEMBLY		
SYM/ QTY	PART NO	DESCRIPTION
1	1 REF ONLY (947V17)	CAVITY BACK INT WELD
2	1 REF ONLY (1153U17)	CAVITY WELD
3	1 PS2697	AIR HEATER KIT
4	1 PS2704	MOTOR FAN ASM KIT
5	1 REF ONLY (886X07)	TANK ASM
6	1 PS2723	THERMOSTAT 325 DEG.
7	2 PS2181-2	ROLLER ASM KIT
B	1 REF ONLY (6071W01)	COVER FAN
9	2 REF ONLY (961U05)	RAIL DRAWER BTM
10	1 REF ONLY (4056X04)	RETAINER FLUSH T-STAT
11	1 REF ONLY (3056W60)	ESC/CTRL ASM
12	2 PS2319	DRAIN HOSE & CLAMPS KIT
13	2 PS1784-3	O-RING .301 IDx 446 O.D.
14	2 REF ONLY (204M01)	RETAINER O-RING
15	1 REF ONLY (5609Y05)	HEAT SHIELD
16	1 REF ONLY (6342Y01)	PLATE SEAL BACK
17	16 PS1819-6	NUT FLANGE LOCK 1/4 - 20
18	8 PS1014-6	NUT NYLON INSERT 10-32 ZINC
19	2 REF ONLY (1122N01)	WASHER
20	2 PS1233-6	NUT HEX 10-32

# WINSTON CVAP MODEL HBA0/5N SERIES

## DRAWER ASSEMBLY



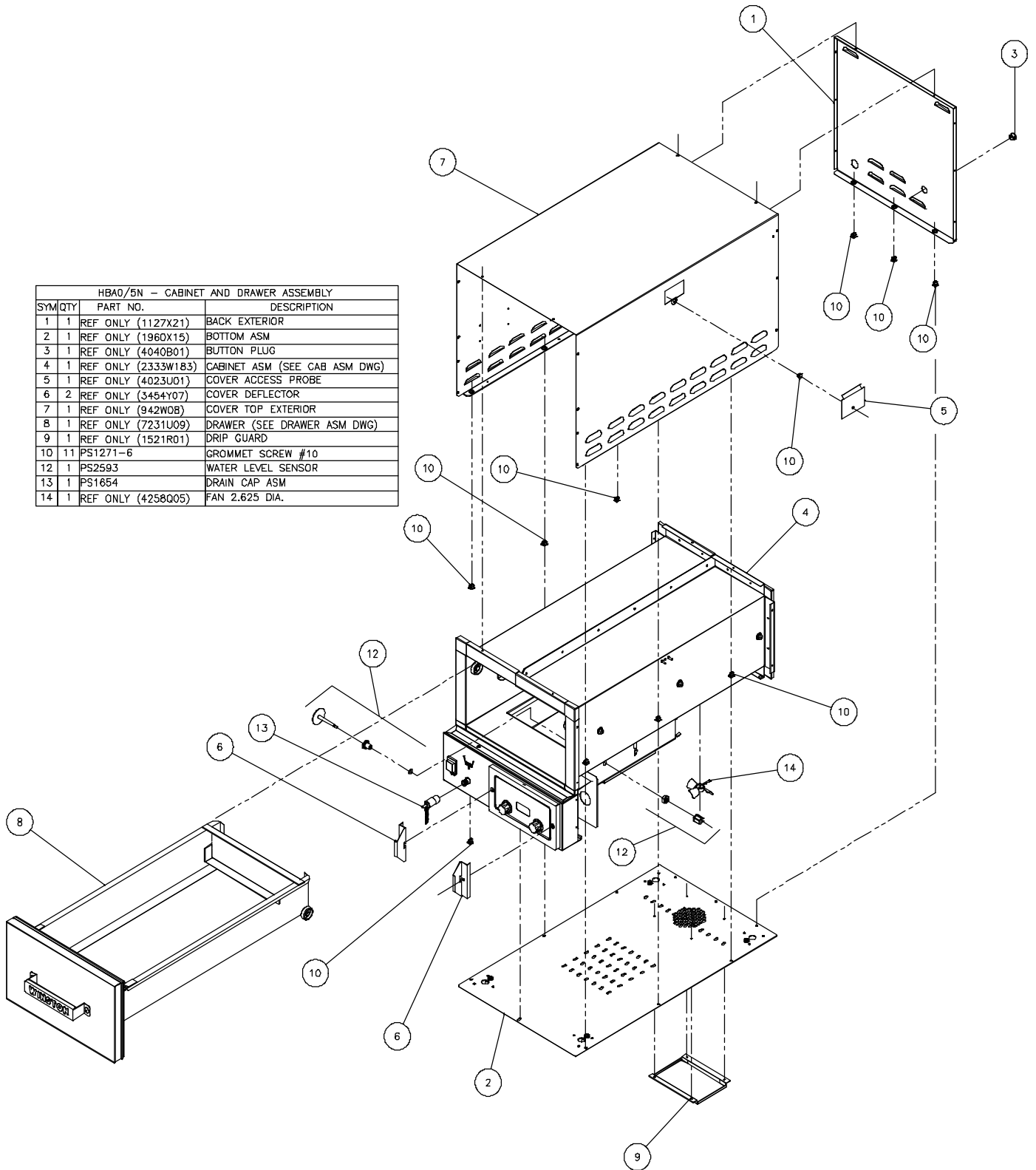
HBA0/5N - DRAWER ASSEMBLY	
SYMCITY	PART NO.
1	PS2724-2
2	PS2724-2
3	REF ONLY (937W03)
4	REF ONLY (936003)
5	REF ONLY (972U09)
6	PS1393
10	PS1222-6
11	PS2223

HBA0/5N - DRAWER ASSEMBLY		
SYMCITY	PART NO.	DESCRIPTION
1	PS2724-2	ROLLER KIT DRAWER ONLY
2	PS2724-2	ROLLER KIT DRAWER ONLY
3	REF ONLY (937W03)	CHANNEL MOUNT
4	REF ONLY (936003)	COVER EXTERIOR
5	REF ONLY (972U09)	DRAWER WELD
6	PS1393	DRAWER HANDLE
10	PS1222-6	SCREW 1/4"-20X .625 TR HD PH
11	PS2223	DRAWER GASKET

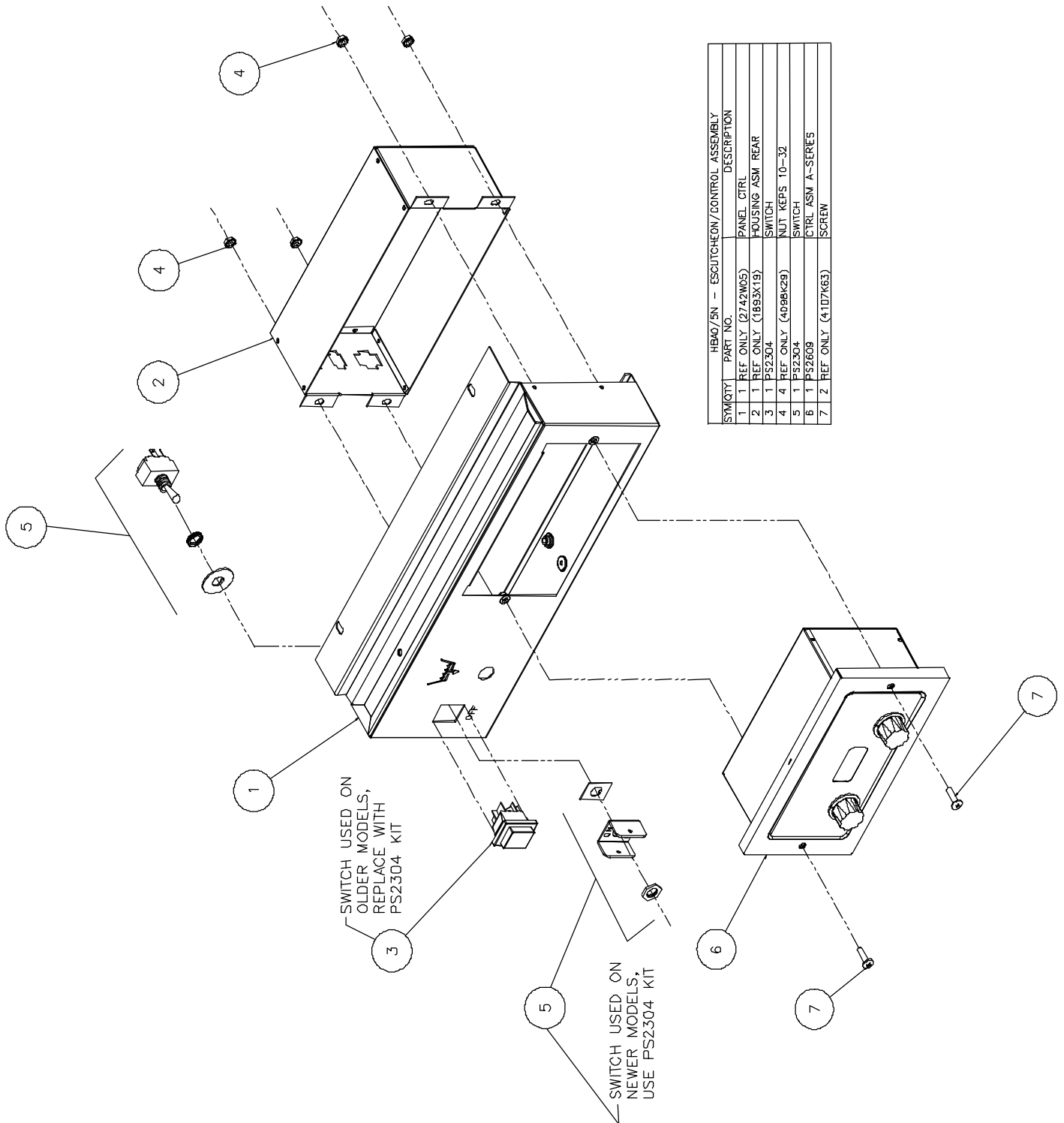
# WINSTON CVAP MODEL HBA0/5N SERIES

## CABINET & DRAWER ASSEMBLY

HBA0/5N - CABINET AND DRAWER ASSEMBLY			
SYM	QTY	PART NO.	DESCRIPTION
1	1	REF ONLY (1127X21)	BACK EXTERIOR
2	1	REF ONLY (1960X15)	BOTTOM ASM
3	1	REF ONLY (4040B01)	BUTTON PLUG
4	1	REF ONLY (2333W183)	CABINET ASM (SEE CAB ASM DWG)
5	1	REF ONLY (4023U01)	COVER ACCESS PROBE
6	2	REF ONLY (3454Y07)	COVER DEFLECTOR
7	1	REF ONLY (942W08)	COVER TOP EXTERIOR
8	1	REF ONLY (7231U09)	DRAWER (SEE DRAWER ASM DWG)
9	1	REF ONLY (1521R01)	DRIP GUARD
10	11	PS1271-6	GROMMET SCREW #10
12	1	PS2593	WATER LEVEL SENSOR
13	1	PS1654	DRAIN CAP ASM
14	1	REF ONLY (4258Q05)	FAN 2.625 DIA.

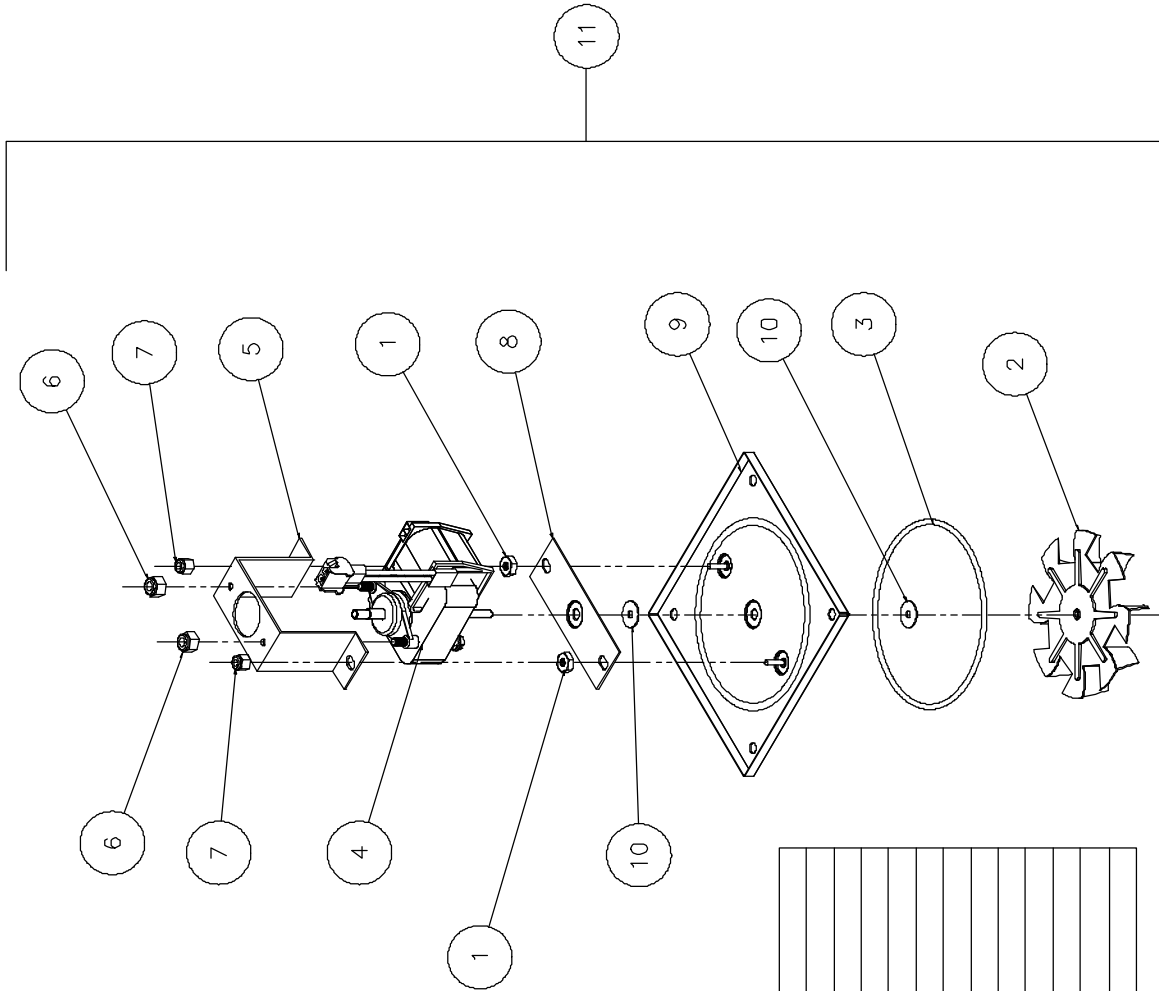


# WINSTON CVAP MODEL HBA0/5N SERIES ESCUTCHEON / CONTROL ASSEMBLY



STMTQTY	PART NO.	DESCRIPTION
1	REF ONLY (2742W05)	PANEL CTRL
1	REF ONLY (1895X19)	HOUSING ASM REAR
3	PS2304	SWITCH
4	REF ONLY (4098K29)	NUT KEPS 10-32
5	PS2304	SWITCH
6	PS2609	CTRL ASM A-SERIES
7	REF ONLY (4107K63)	SCREW

**WINSTON CVAP MODEL HBA0/5N SERIES**  
**FAN ASSEMBLY (HBA5 MODELS ONLY)**

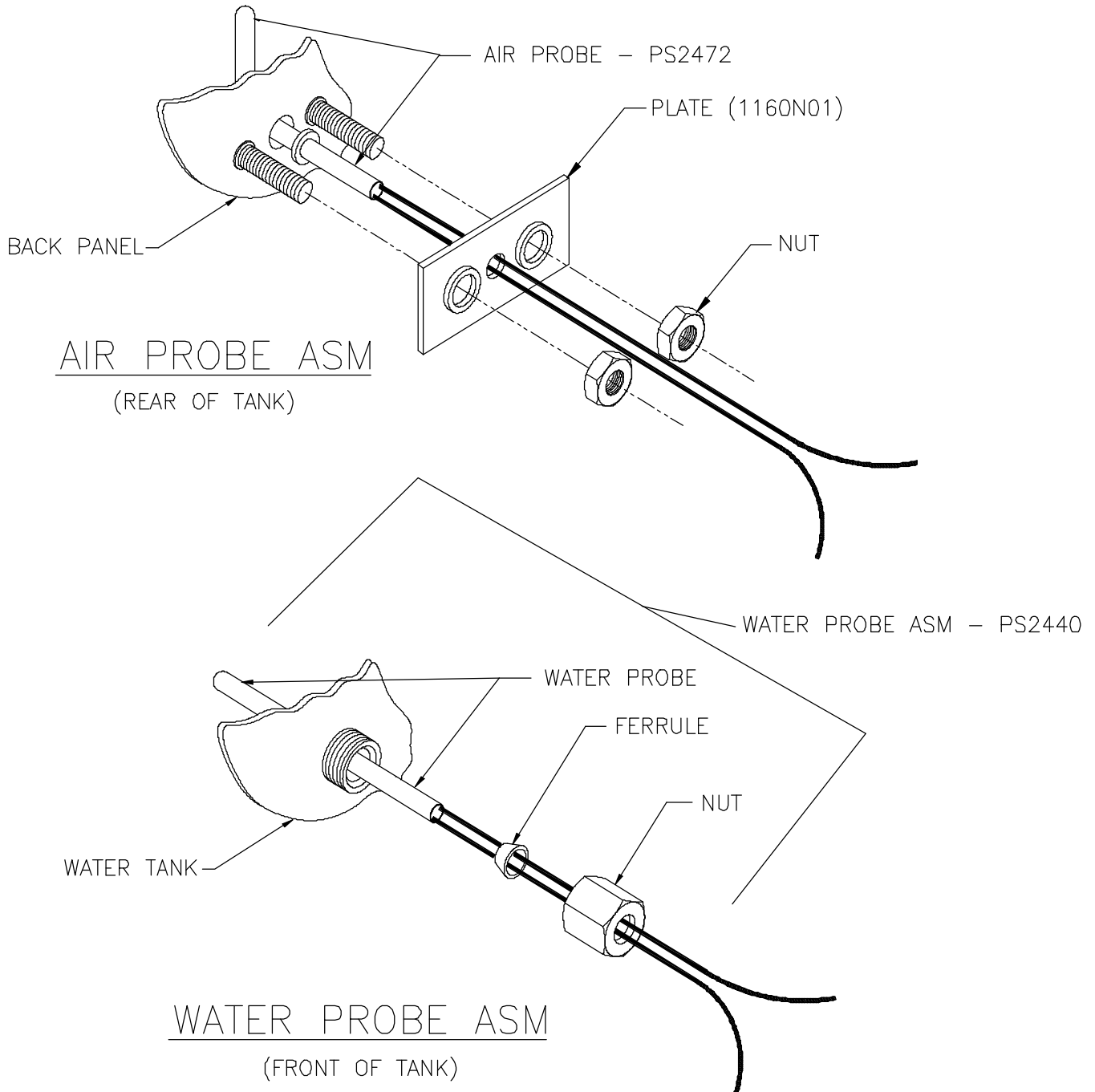


HBA5N FAN ASM PS2704	
SYM/QTY	PART NO. DESCRIPTION
1	2 REF ONLY (4098W78) NUT JAM 1/4-20
2	1 PS2544 FAN 4:00 DIA.
3	1 REF ONLY (6159W01) GASKET FAN ASM
4	1 PS2196 MOTOR 120V
5	1 REF ONLY (176W08) MOUNT FAN
6	2 REF ONLY (4098N53) NUT NYLON INSERT #10-32
7	2 REF ONLY (4098Q58) NUT NYLON INSERT #8-32
8	1 REF ONLY (1070W02) RETAINER SHAFT
9	1 REF ONLY (6106W01) PLATE WELD
10	2 REF ONLY (4023W21) WASHER SLINGER
11	1 PS2704 FAN AND MOTOR ASM



# WINSTON CVAP MODEL HBA0/5N SERIES

## PROBE ASSEMBLY



# WINSTON CVAP MODEL HBA0/5N SERIES

## TANK ASSEMBLY

